



**WEILI**

# 无刷风机风扇 产品目录

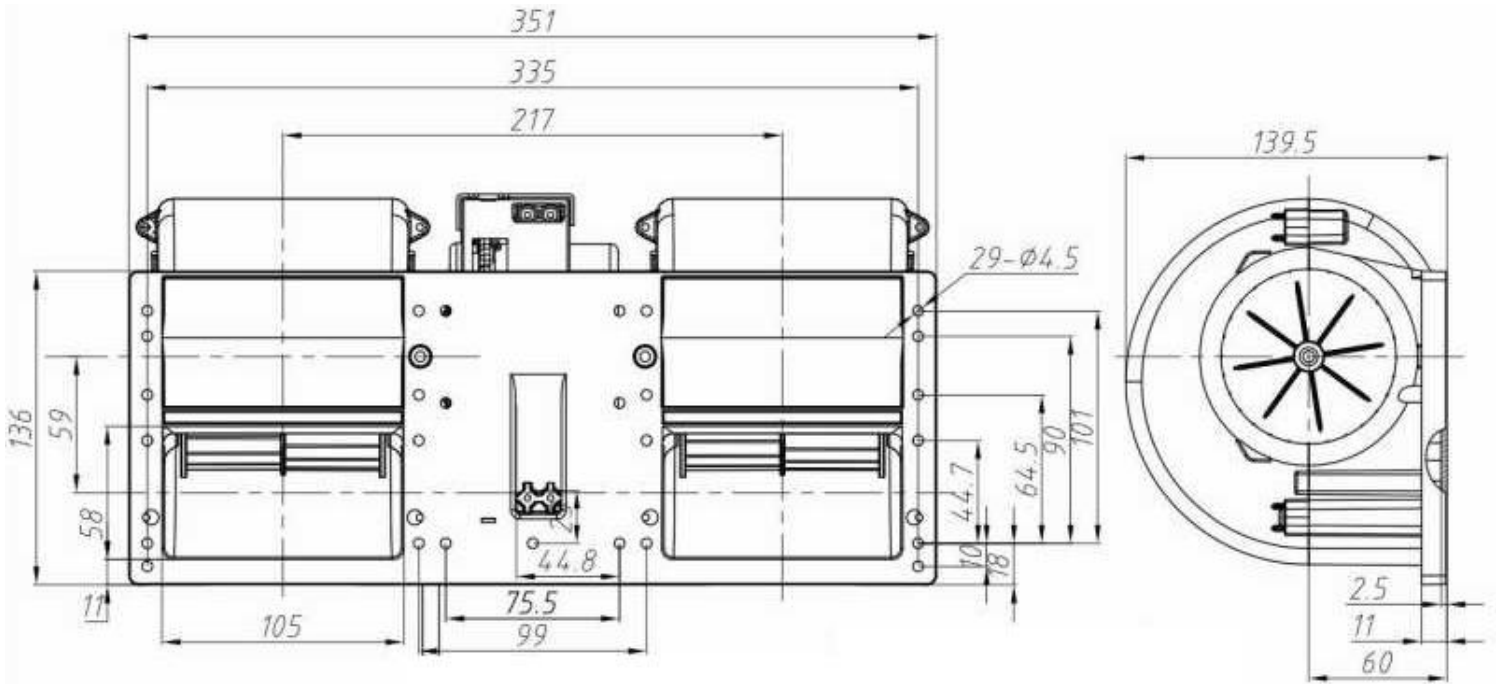
进一步了解产品 索取产品规格书

**湖南伟力汽车零部件有限公司**



# 无刷直流风机风扇

WZHF2101 24V



Operating Voltage : DC16~32V

Max speed : 3900 ±100rpm

Noise : ≤75db

Working temperature : -40~85°C

Lifetime : ≥ 20000 h

Max Current : ≤12A



Performance Chart ( Test voltage 26V)  
性能参数 (实验电压26V )

Satic Pressure mmH2O 静压 毫米水柱	AirFlow m³/h 风量 立方米/小时	Current input A 输入电流培
0	1180	10.1
5	1150	10.1
10	1100	9.9
15	1010	9.8
20	945	9.8
25	850	9.9
30	733	9.8
40	702	9.8
50	0	6.9

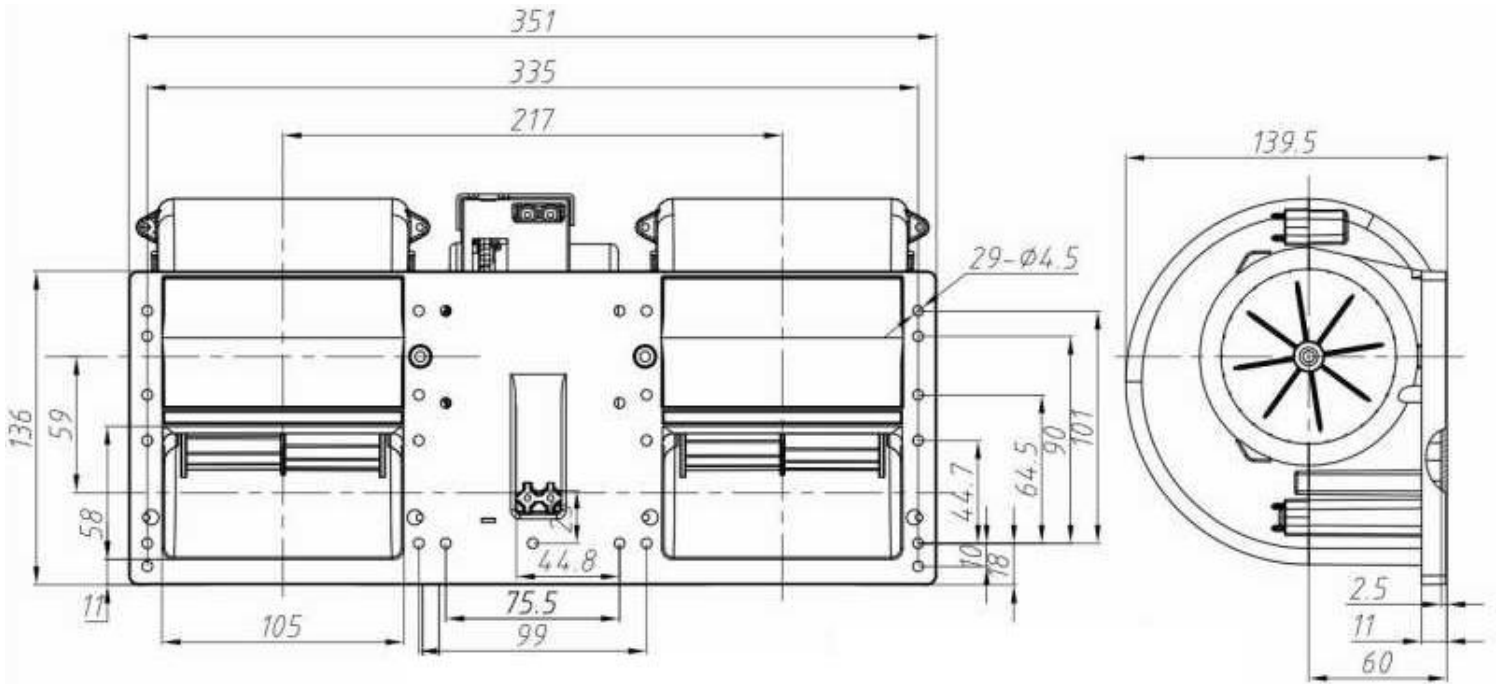
## Product Features 产品特性

rotection grade	IP68
CFM Contro Way	<b>PWM</b>
EMC Grade	ISO 16750-2 2012
Operating Frequency	50~1000HZ
Power	260W



# 无刷直流风机风扇

WZHF2101-1 24V



Operating Voltage : DC16~32V

Max speed : 3900 ±100rpm

Noise : ≤75db

Working temperature : -40~85°C

Lifetime : ≥ 20000 h

Max Current : ≤12A



Performance Chart ( Test voltage 26V)  
性能参数 (实验电压26V )

Satic Pressure mmH2O 静压 毫米水柱	AirFlow m³/h 风量 立方米/小时	Current input A 输入电流培
0	1180	10.1
5	1150	10.1
10	1100	9.9
15	1010	9.8
20	945	9.8
25	850	9.9
30	733	9.8
40	702	9.8
50	0	6.9

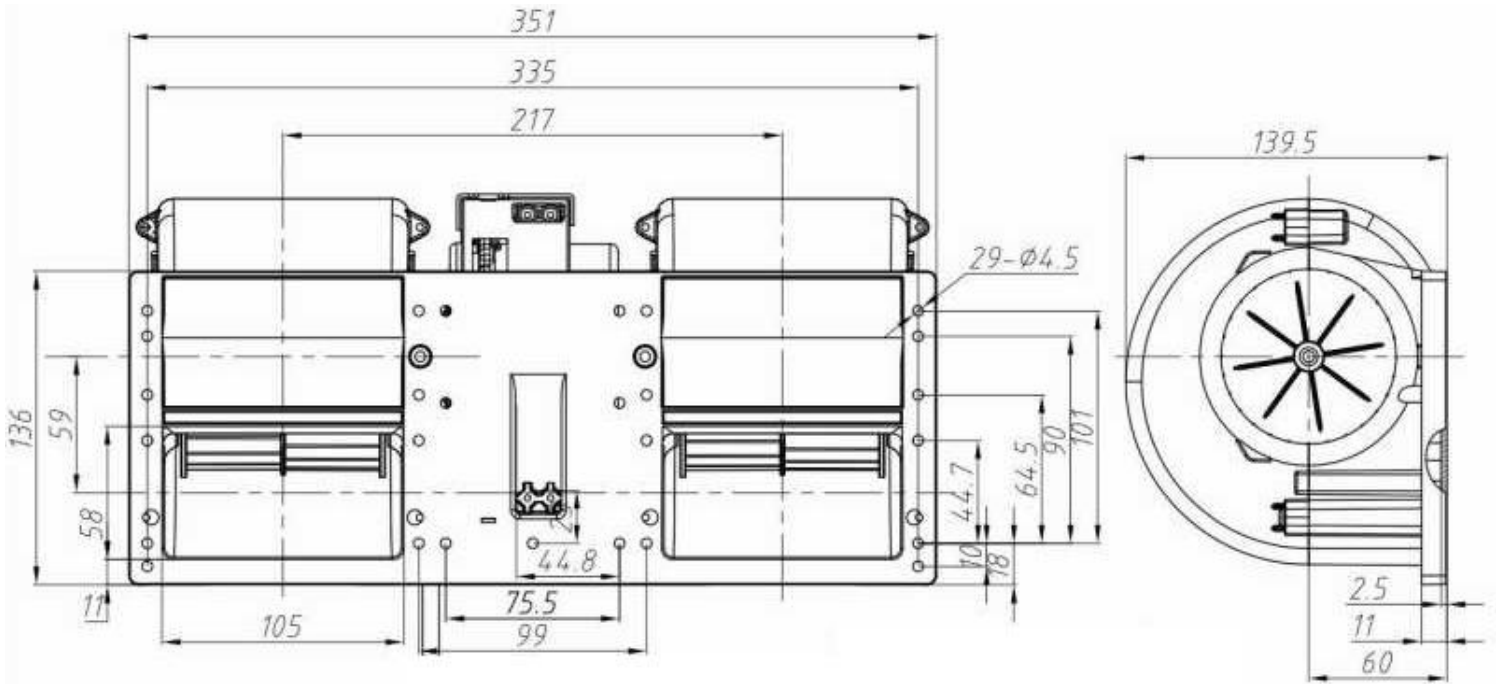
## Product Features 产品特性

rotection grade	IP68
CFM Contro Way	PWM
EMC Grade	ISO 16750-2 2012
Operating Frequency	1K~10KHz
Power	260W



# 无刷直流风机风扇

WZHF2101-2 24V



Operating Voltage : DC16~32V

Max speed : 3900 ±100rpm

Noise : ≤75db

Working temperature : -40~85°C

Lifetime : ≥ 20000 h

Max Current : ≤12A



Performance Chart ( Test voltage 26V)  
性能参数 (实验电压26V )

Satic Pressure mmH2O 静压 毫米水柱	AirFlow m³/h 风量 立方米/小时	Current input A 输入电流培
0	1180	10.1
5	1150	10.1
10	1100	9.9
15	1010	9.8
20	945	9.8
25	850	9.9
30	733	9.8
40	702	9.8
50	0	6.9

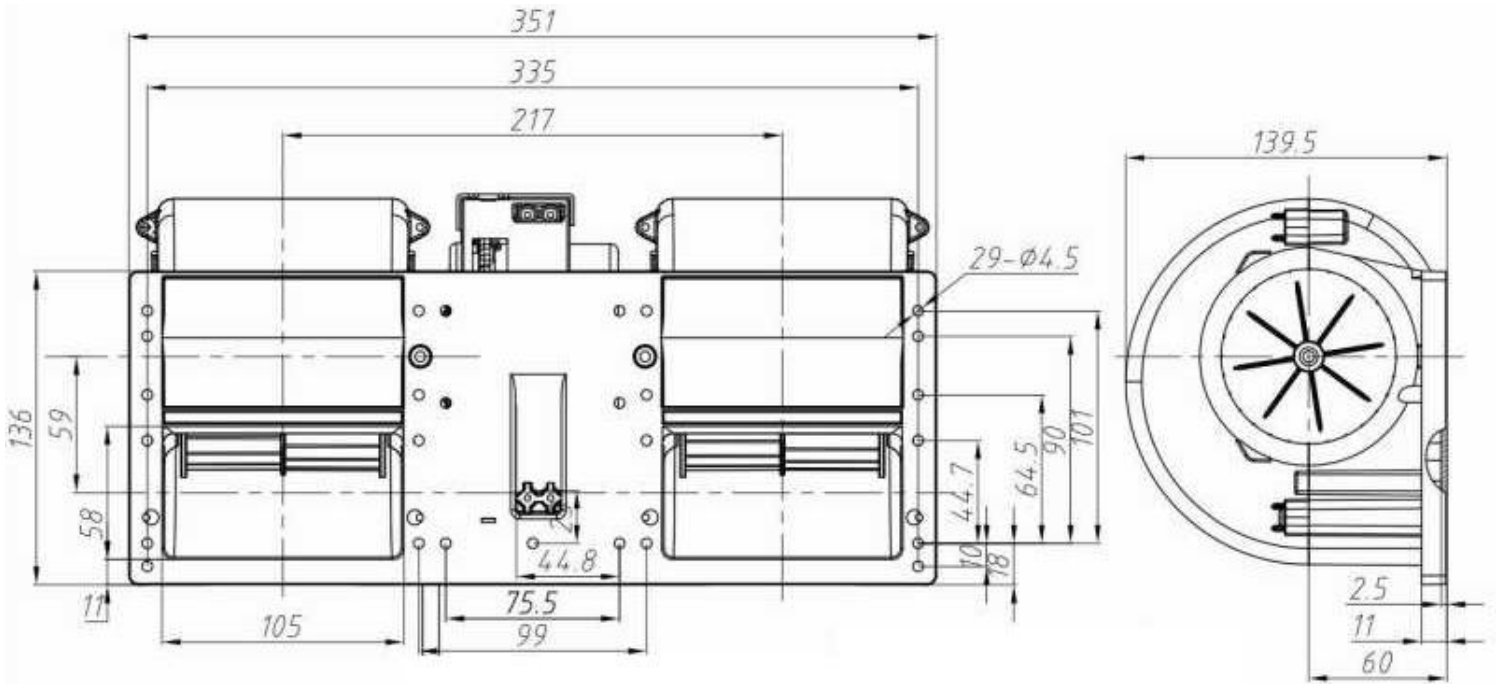
## Product Features 产品特性

rotection grade	IP68
CFM Contro Way	<b>Voltage</b>
EMC Grade	ISO 16750-2 2012
Voltage range	0-10V
Power	260W



# 无刷直流风机风扇

WZHF379 24V



Operating Voltage : DC16~32V

Max speed : 3900 ±100rpm

Noise : ≤75db

Working temperature : -40~85°C

Lifetime : ≥ 20000 h

Max Current : ≤12A



Performance Chart ( Test voltage 26V)  
性能参数 (实验电压26V )

Satic Pressure mmH2O 静压 毫米水柱	AirFlow m³/h 风量 立方米/小时	Current input A 输入电流培
0	1180	10.1
5	1150	10.1
10	1100	9.9
15	1010	9.8
20	945	9.8
25	850	9.9
30	733	9.8
40	702	9.8
50	0	6.9

## Product Features 产品特性

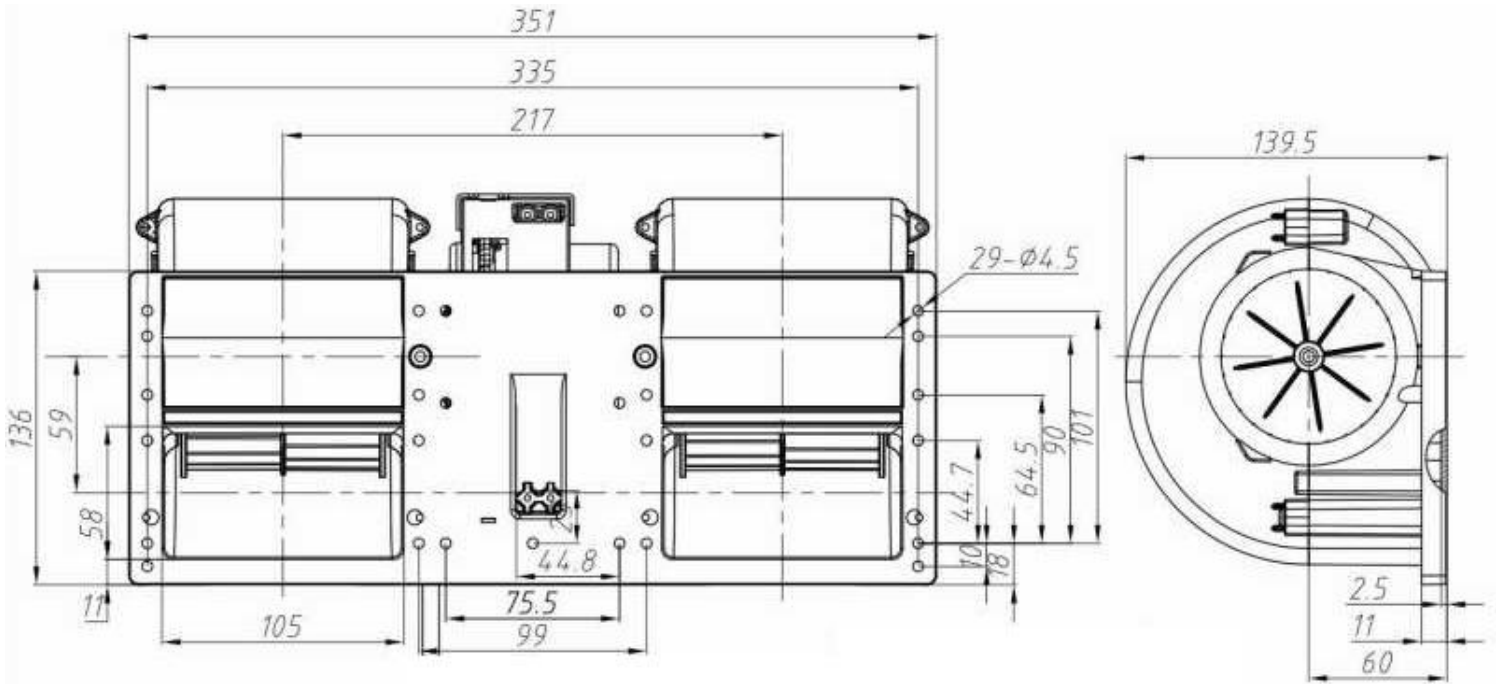
rotection grade	IP68
CFM Contro Way	<b>Voltage&amp;PWM</b>
EMC Grade	ISO 16750-2 2012
Voltage range	0-10V/1K-10K
Power	260W





# 无刷直流风机风扇

WZHF4101 48V



Operating Voltage : DC33~60V

Max speed : 3900 ±100rpm

Noise : ≤75db

Working temperature : -40~85°C

Lifetime : ≥ 20000 h

Max Current : ≤6A



Performance Chart ( Test voltage 48V)  
性能参数 (实验电压48V)

Satic Pressure mmH2O 静压 毫米水柱	AirFlow m³/h 风量 立方米/小时	Current input A 输入电流培
0	1180	4.5
5	1150	4.4
10	1100	4.3
15	1010	4.2
20	945	4.1
25	850	3.8
30	733	3.6
40	702	3.2
50	0	3.1

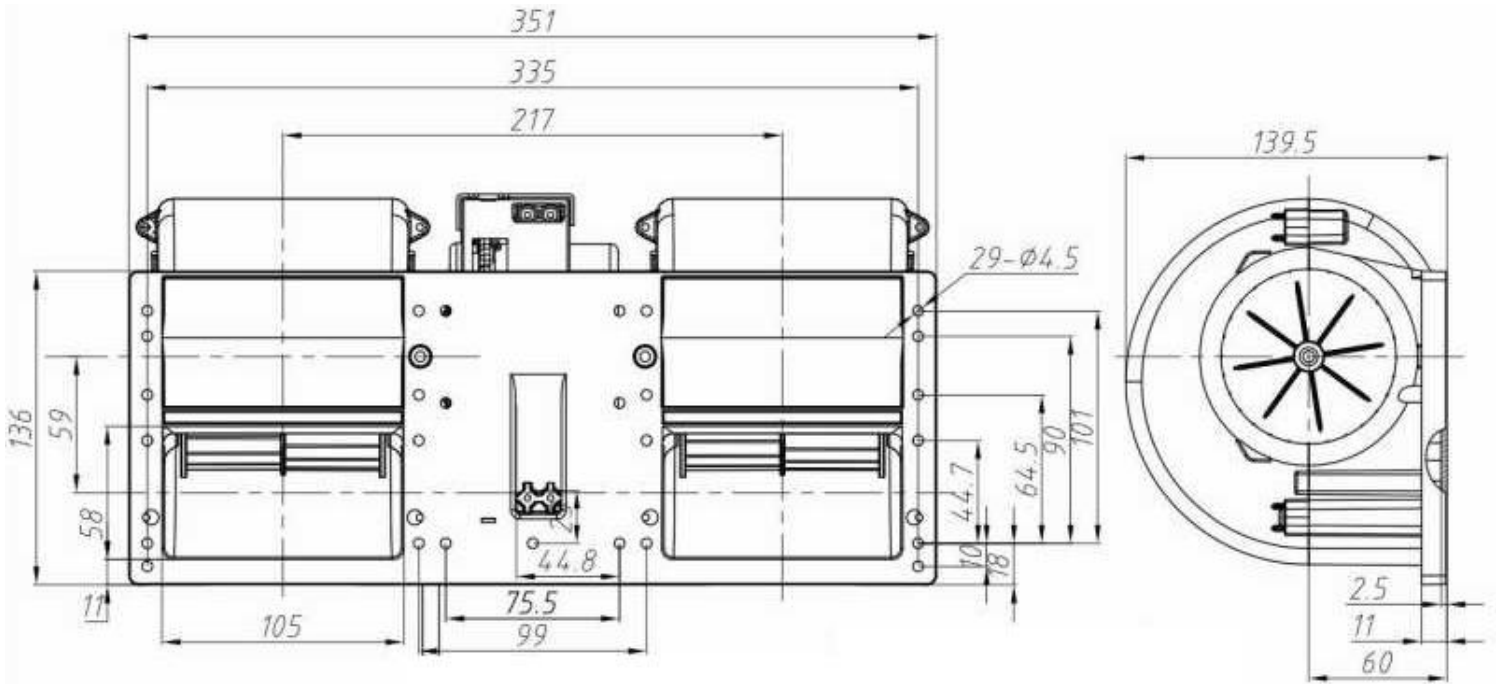
## Product Features 产品特性

rotection grade	IP68
CFM Contro Way	<b>Voltage&amp;PWM</b>
EMC Grade	ISO 16750-2 2012
Voltage range	0-10V/1K-10K
Power	260W



# 无刷直流风机风扇

WZHF 358 24V



Operating Voltage : DC16~32V

Max speed : 4200 ±100rpm

Noise : ≤73db

Working temperature : -40~85°C

Lifetime : ≥ 40000 h

Max Current : ≤15.5A



Performance Chart ( Test voltage 26V)  
性能参数 (实验电压26V )

Satic Pressure mmH2O 静压 毫米水柱	AirFlow m³/h 风量 立方米/小时	Current input A 输入电流培
0	1229	14.8
5	1181	14.1
10	1130	13.3
15	1077	12.7
20	1019	11.9
25	964	11.2
30	889	10.2
35	800	9.1
40	720	8.3

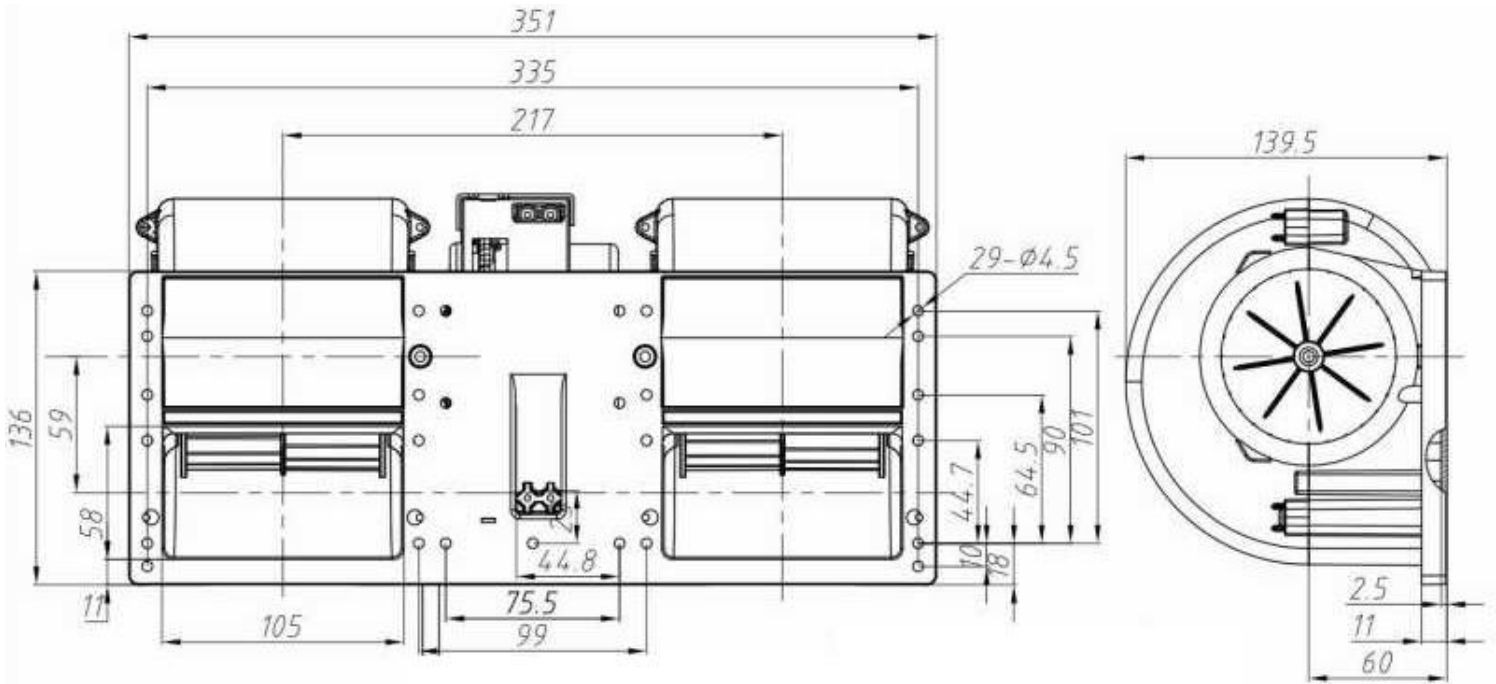
Product Features  
产品特性

rotection grade	IP68
CFM Contro Way	PWM & A
EMC Grade	ISO 16750-2 2012
Operating Frequency	50~1000 HZ
Power	380W



# 无刷直流风机风扇

WZHF 358-1 24V



Operating Voltage : DC16~32V

Max speed : 4100 ±100rpm

Noise : ≤73db

Working temperature : -40~85°C

Lifetime : ≥ 40000 h

Max Current : ≤15.5A



Performance Chart ( Test voltage 26V)  
性能参数 (实验电压26V )

Satic Pressure mmH2O 静压 毫米水柱	AirFlow m³/h 风量 立方米/小时	Current input A 输入电流培
0	1223	14.5
5	1181	13.9
10	1139	13.0
15	1068	12.5
20	1011	11.7
25	953	11.0
30	856	10.0
35	797	9.2
40	448	8.1

Product Features  
产品特性

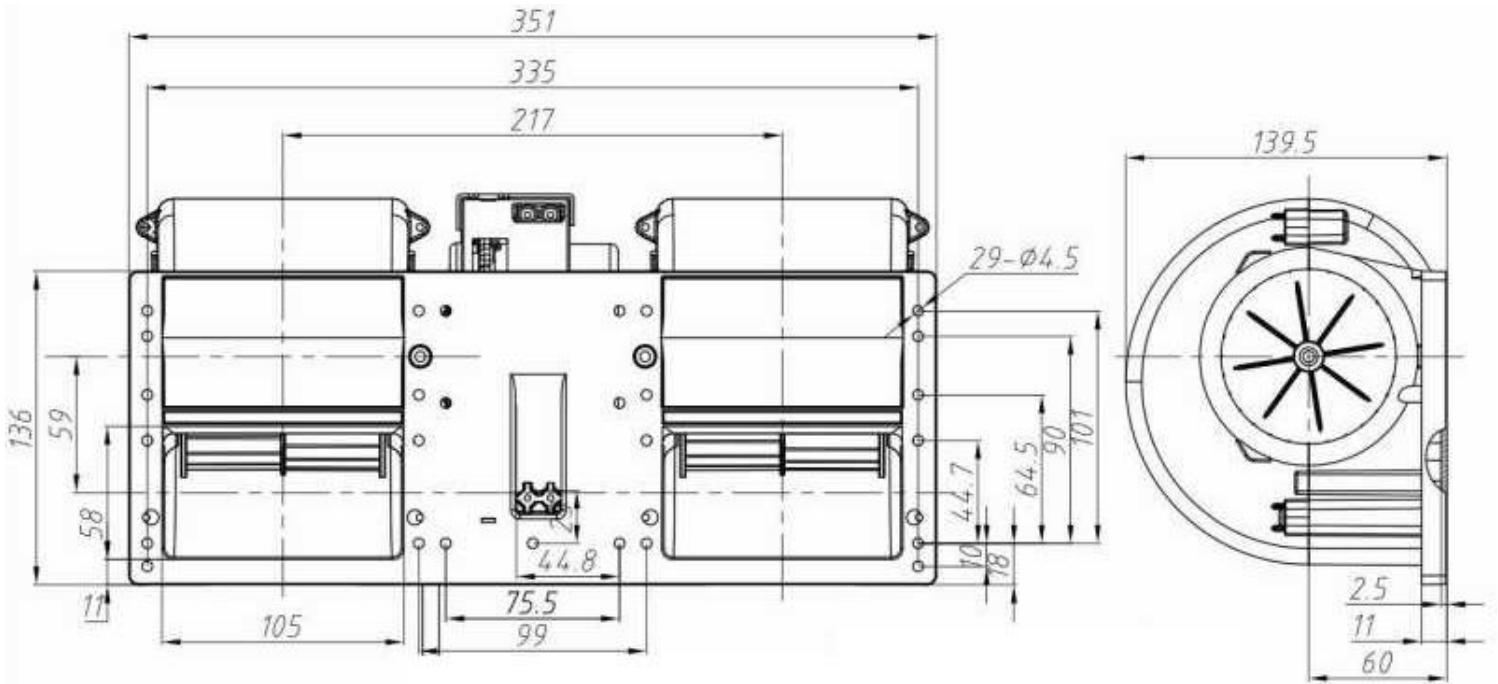
rotection grade	IP68
CFM Contro Way	PWM & A
EMC Grade	ISO 16750-2 2012
Operating Frequency	50~1000 HZ
Power	350W





# 无刷直流风机风扇

WZHF 358S 24V



Operating Voltage : DC16~32V

Max speed : 3650 ±100rpm

Noise : ≤71db

Working temperature : -40~85°C

Lifetime : ≥ 40000 h

Max Current : ≤15.5A



Performance Chart ( Test voltage 26V )  
性能参数 (实验电压26V )

Satic Pressure mmH2O 静压 毫米水柱	AirFlow m³/h 风量 立方米/小时	Current input A 输入电流培
0	978	8.7
5	928	8.0
10	873	7.6
15	801	6.9
20	724	6.3
25	636	5.7
30	483	4.3
35	110	2.3

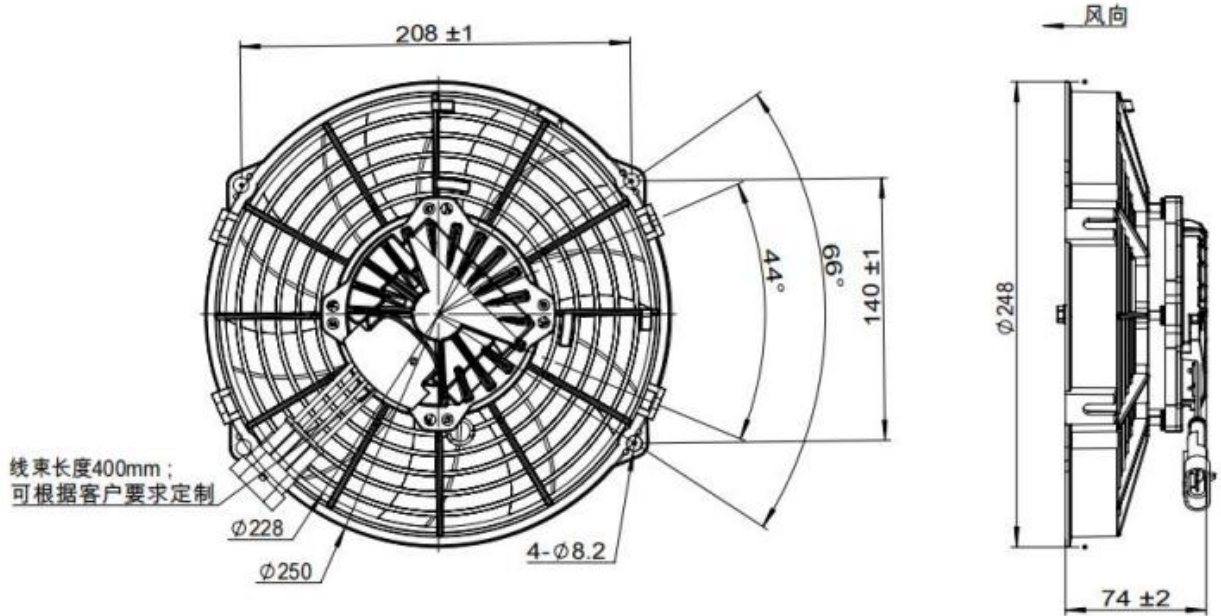
## Product Features 产品特性

rotection grade	IP68
CFM Contro Way	PWM & A
EMC Grade	ISO 16750-2 2012
Operating Frequency	50~1000 HZ
Power	200W



# 无刷直流风机风扇

9"  $\Phi$ 225mm  
**WLNF 2209B** 24V



Operating Voltage : DC16~32V	Max speed : 3400 ±100rpm	Noise : ≤73db
Working temperature : -40~120°C	Lifetime : ≥ 40000 h	Max Current : ≤ 5A



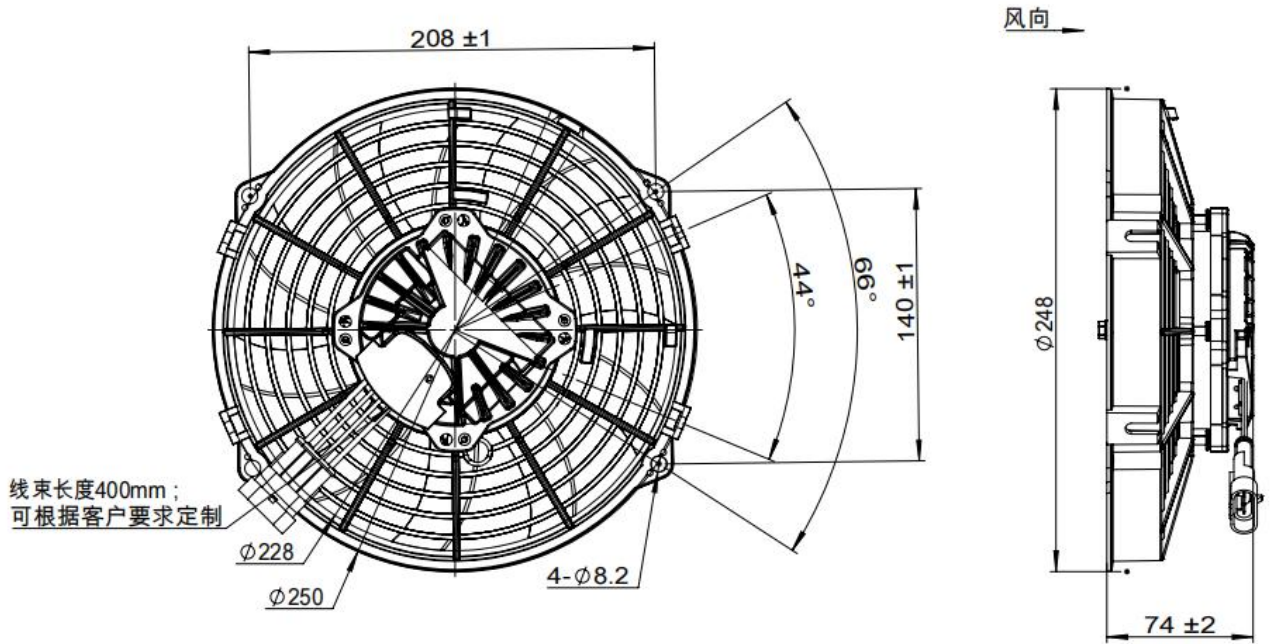
Performance Chart ( Test voltage 26V ) 性能参数 (实验电压26V )		
Satic Pressure mmH2O 静压 毫米水柱	AirFlow m³/h 风量 立方米/小时	Current input A 输入电流培
0	1260	4.5
5	1160	4.7
10	1000	4.7
15	550	4.7
20	0	4.8
25		
30		
40		
50		

Product Features 产品特性	
rotection grade	IP68
CFM Contro Way	PWM
EMC Grade	ISO 16750-2 2012
Operating Frequency	50~1000 HZ
Power	200W



# 无刷直流风机风扇

9"  $\Phi 225\text{mm}$   
**WLNF 2209BX** 24V



Operating Voltage : DC16~32V	Max speed : 3400 ±100rpm	Noise : ≤73db
Working temperature : -40~120°C	Lifetime : ≥ 40000 h	Max Current : ≤ 5A



Performance Chart ( Test voltage 26V)  
 性能参数 (实验电压26V )

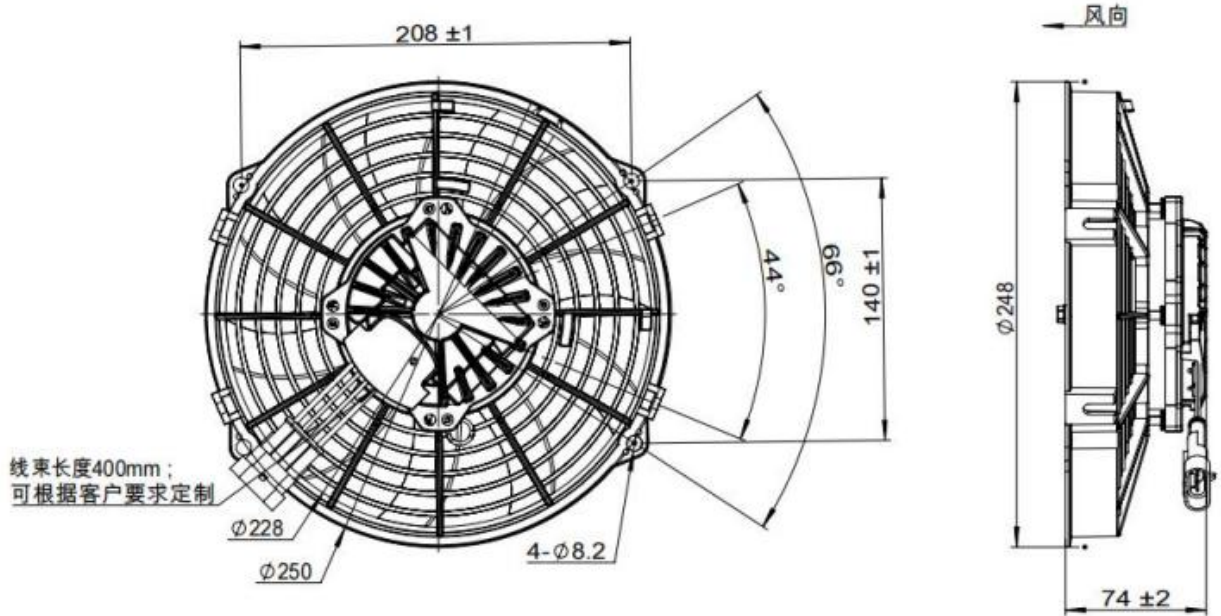
Satic Pressure mmH2O 静压 毫米水柱	AirFlow m <sup>3</sup> /h 风量 立方米/小时	Current input A 输入电流培
0	1260	4.5
5	1160	4.7
10	1000	4.7
15	550	4.7
20	0	4.8
25		
30		
40		
50		

Product Features 产品特性	
rotection grade	IP68
CFM Contro Way	PWM
EMC Grade	ISO 16750-2 2012
Operating Frequency	50~1000 HZ
Power	200W



# 无刷直流风机风扇

9"  $\Phi$ 225mm  
**WLNF 1209B** 12V



Operating Voltage : DC9~16V	Max speed : 3400 ±100rpm	Noise : ≤73db
Working temperature : -40~120°C	Lifetime : ≥ 40000 h	Max Current : ≤ 10A



Performance Chart ( Test voltage 13V)  
 性能参数 (实验电压13V )

Satic Pressure mmH2O 静压 毫米水柱	AirFlow m <sup>3</sup> /h 风量 立方米/小时	Current input A 输入电流培
0	1260	9
5	1160	9.4
10	1000	9.6
15	550	9.8
20	0	10.2
25		
30		
40		
50		

## Product Features 产品特性

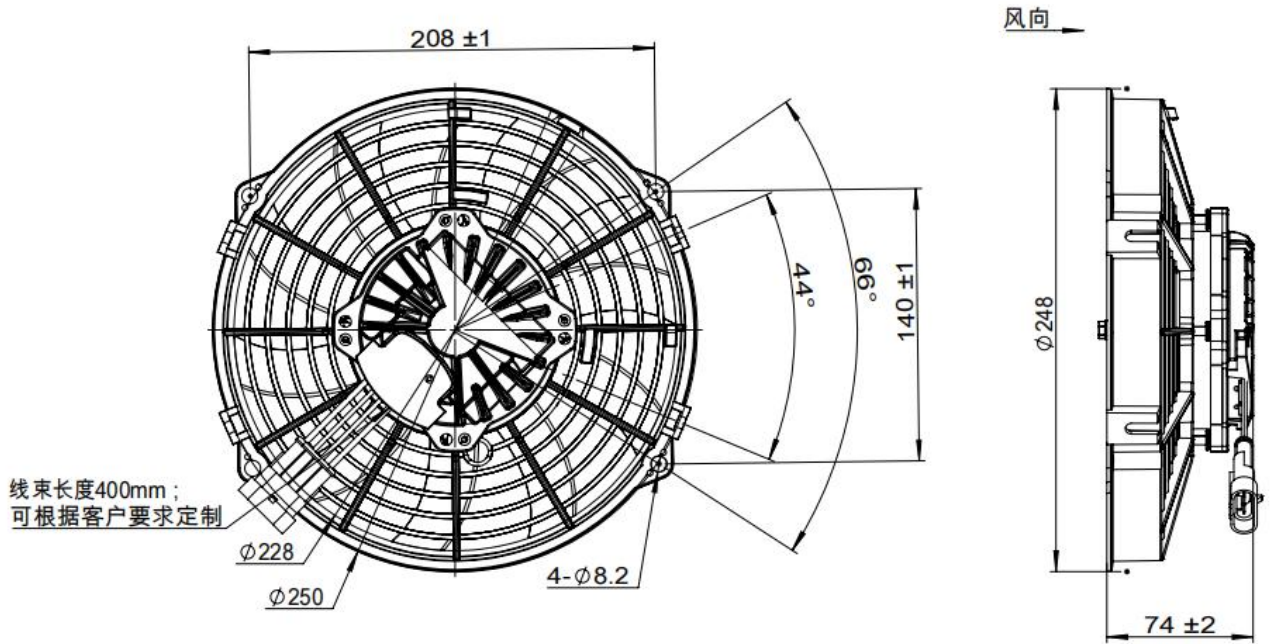
rotection grade	IP68
CFM Contro Way	PWM
EMC Grade	ISO 16750-2 2012
Operating Frequency	50~1000 HZ
Power	200W





# 无刷直流风机风扇

9"  $\Phi$ 225mm  
**WLNF 1209BX** 12V



Operating Voltage : DC9~16V	Max speed : 3400 ±100rpm	Noise : ≤73db
Working temperature : -40~120°C	Lifetime : ≥ 40000 h	Max Current : ≤ 10A



Performance Chart ( Test voltage 13V)  
 性能参数 (实验电压13V )

Satic Pressure mmH2O 静压 毫米水柱	AirFlow m <sup>3</sup> /h 风量 立方米/小时	Current input A 输入电流培
0	1260	9
5	1160	9.4
10	1000	9.6
15	550	10.1
20	0	10.4
25		
30		
40		
50		

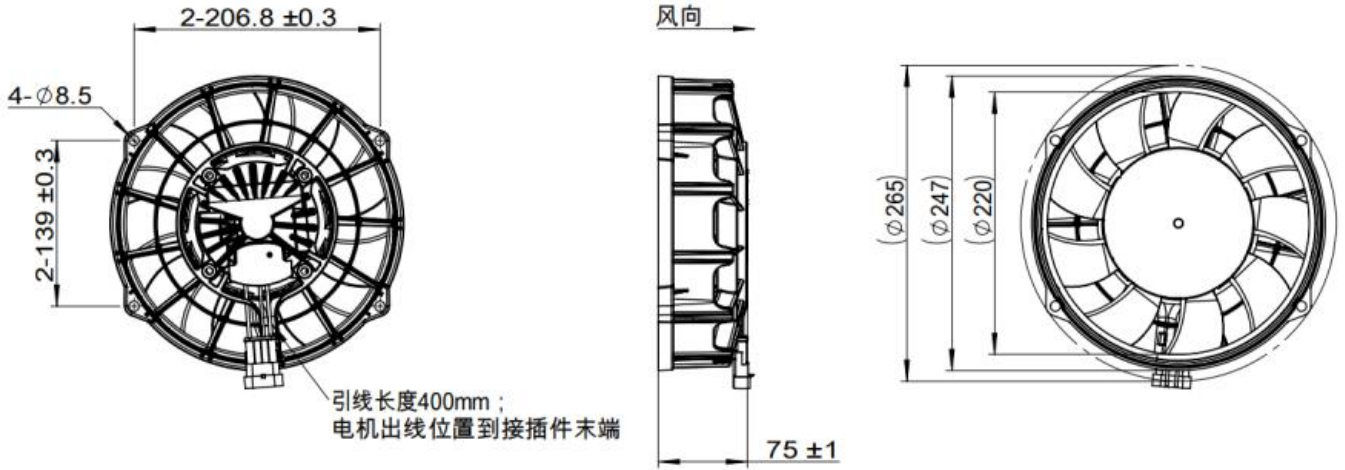
Product Features 产品特性	
rotection grade	IP68
CFM Contro Way	PWM
EMC Grade	ISO 16750-2 2012
Operating Frequency	50~1000 HZ
Power	200W



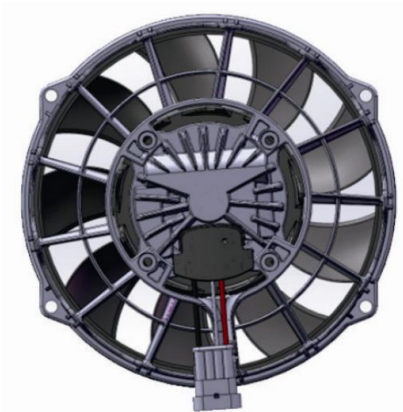


# 无刷直流风机风扇

9"  $\Phi$ 225mm  
**WLNF 2209C** 24V



Operating Voltage : DC16~32V	Max speed : 4000 ±100rpm	Noise : ≤75db
Working temperature : -40~120°C	Lifetime : ≥ 40000 h	Max Current : ≤ 7A



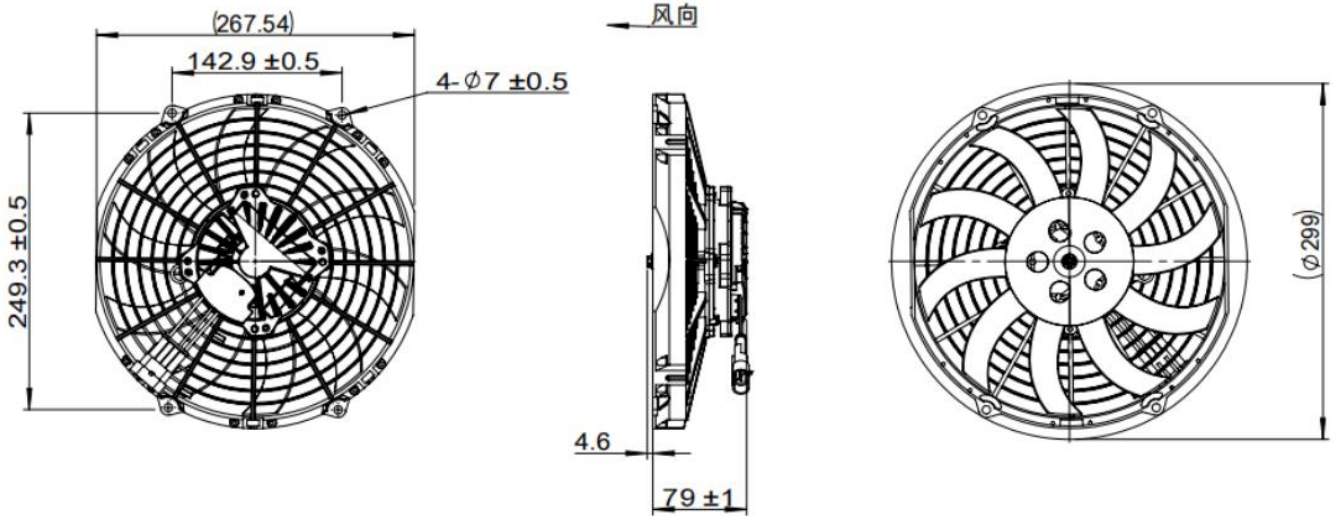
Performance Chart ( Test voltage 26V) 性能参数 (实验电压26V )		
Satic Pressure mmH2O 静压 毫米水柱	AirFlow m³/h 风量 立方米/小时	Current input A 输入电流培
0	1400	6.8
5	1340	6.6
10	1260	6.8
15	1210	6.7
20	1070	6.7
25	810	6.9
30	570	6.9
40	380	7.0
50	0	7.1

Product Features 产品特性	
rotection grade	IP68
CFM Contro Way	PWM
EMC Grade	ISO 16750-2 2012
Operating Frequency	50~1000 HZ
Power	300W



# 无刷直流风机风扇

10" Φ255mm  
**WLNF 2210B** 24V



Operating Voltage : DC16~32V	Max speed : 3400 ±100rpm	Noise : ≤73db
Working temperature : -40~120°C	Lifetime : ≥ 40000 h	Max Current : ≤ 5.0A



Performance Chart ( Test voltage 26V)  
 性能参数 (实验电压26V )

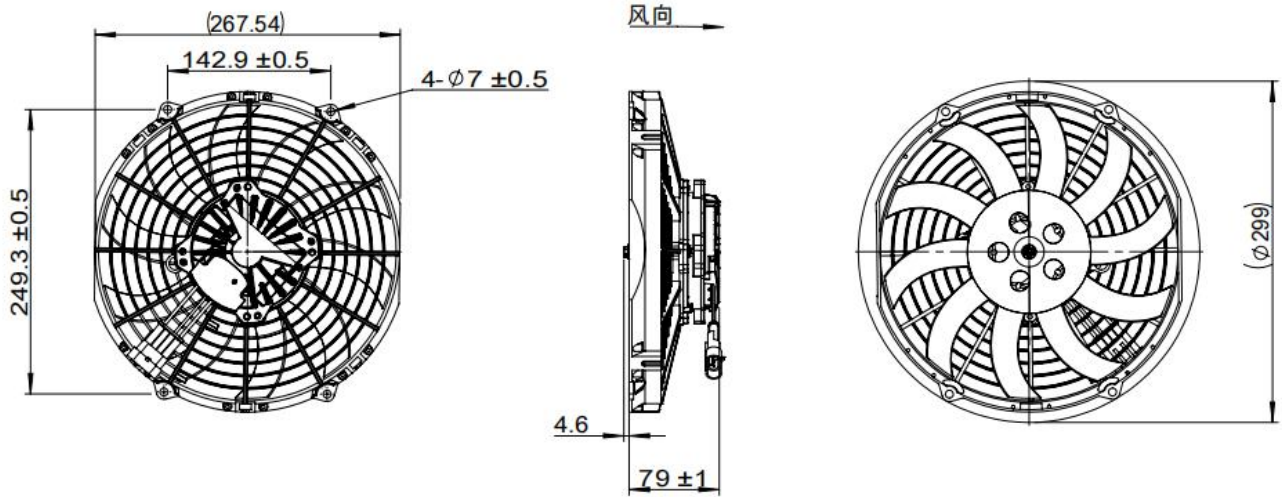
Satic Pressure mmH2O 静压 毫米水柱	AirFlow m³/h 风量 立方米/小时	Current input A 输入电流培
0	1420	4.4
5	1390	4.4
10	1050	4.5
15	820	4.6
20	378	4.7
25	260	4.7
30	157	4.8
40	0	5.1
50		

Product Features 产品特性	
rotection grade	IP68
CFM Contro Way	PWM
EMC Grade	ISO 16750-2 2012
Operating Frequency	50~1000 HZ
Power	130W



# 无刷直流风机风扇

10" Φ255mm  
**WLNF 2210BX** 24V



Operating Voltage : DC9~16V	Max speed : 3400 ±100rpm	Noise : ≤73db
Working temperature : -40~120°C	Lifetime : ≥ 40000 h	Max Current : ≤ 5.0A



Performance Chart ( Test voltage 26V)  
 性能参数 (实验电压26V )

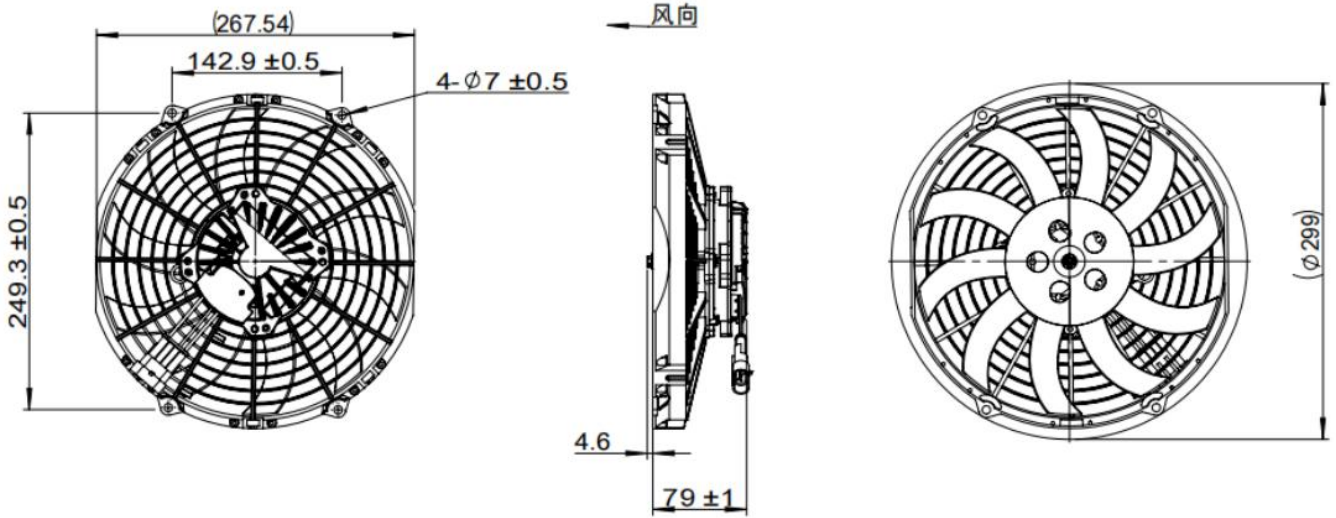
Satic Pressure mmH2O 静压 毫米水柱	AirFlow m³/h 风量 立方米/小时	Current input A 输入电流培
0	1420	4.4
5	1390	4.4
10	1050	4.5
15	820	4.6
20	378	4.7
25	260	4.7
30	157	4.8
40	0	5.1
50		

Product Features 产品特性	
rotection grade	IP68
CFM Contro Way	PWM
EMC Grade	ISO 16750-2 2012
Operating Frequency	50~1000 HZ
Power	130W



# 无刷直流风机风扇

10"  $\Phi$ 255mm  
**WLNF 1210B** 12V



Operating Voltage : DC16~32V	Max speed : 3400 $\pm$ 100rpm	Noise : $\leq$ 73db
Working temperature : -40~120°C	Lifetime : $\geq$ 40000 h	Max Current : $\leq$ 10A



Performance Chart ( Test voltage 26V)  
 性能参数 (实验电压26V )

Satic Pressure mmH2O 静压 毫米水柱	AirFlow m <sup>3</sup> /h 风量 立方米/小时	Current input A 输入电流培
0	1420	8.8
5	1390	8.9
10	1050	9
15	820	9.2
20	378	9.4
25	260	9.6
30	157	9.8
40	0	10
50		

## Product Features 产品特性

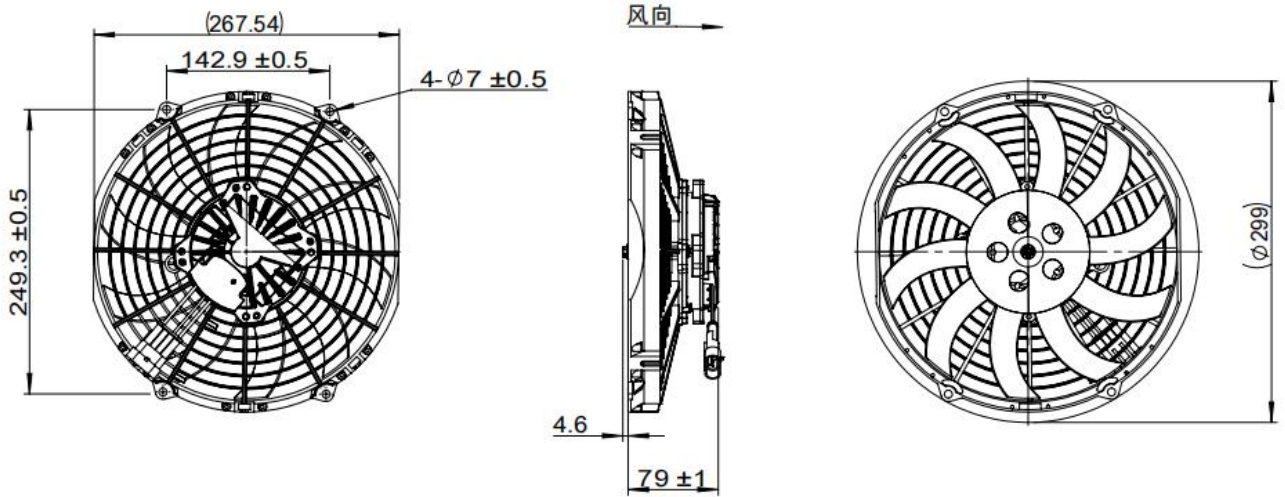
rotection grade	IP68
CFM Contro Way	PWM
EMC Grade	ISO 16750-2 2012
Operating Frequency	50~1000 HZ
Power	130W





# 无刷直流风机风扇

10"  $\Phi$ 255mm  
**WLNF 1210BX** 12V



Operating Voltage : DC16~32V	Max speed : 3400 $\pm$ 100rpm	Noise : $\leq$ 73db
Working temperature : -40~120°C	Lifetime : $\geq$ 40000 h	Max Current : $\leq$ 10A



Performance Chart ( Test voltage 13V)  
 性能参数 (实验电压13V )

Satic Pressure mmH2O 静压 毫米水柱	AirFlow m <sup>3</sup> /h 风量 立方米/小时	Current input A 输入电流培
0	1420	8.8
5	1390	8.9
10	1050	9
15	820	9.4
20	378	9.5
25	260	9.7
30	157	9.8
40	0	10
50		

Product Features 产品特性	
rotection grade	IP68
CFM Contro Way	PWM
EMC Grade	ISO 16750-2 2012
Operating Frequency	50~1000 HZ
Power	130W



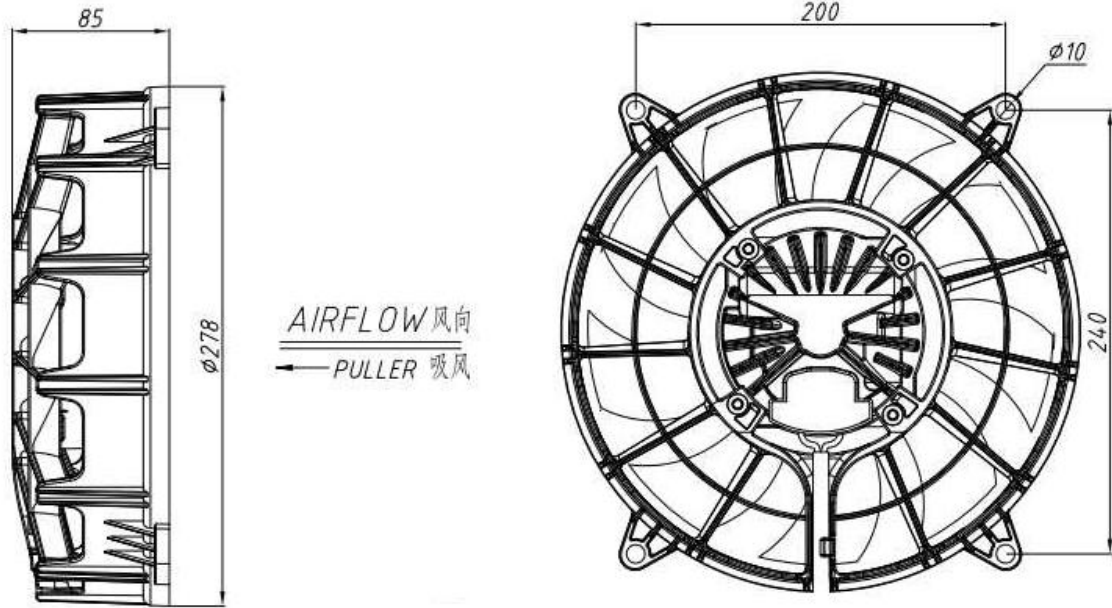


# 无刷直流风机风扇

10"  $\Phi$ 255mm

WLNF 050

12V



Operating Voltage : DC9~16V	Max speed : 2000 $\pm$ 100rpm	Noise : $\leq$ 61db
Working temperature : -40~95°C	Lifetime : $\geq$ 25000 h	Max Current : $\leq$ 5A



Performance Chart ( Test voltage 26V)  
性能参数 (实验电压26V )

Satic Pressure mmH2O 静压 毫米水柱	AirFlow m <sup>3</sup> /h 风量 立方米/小时	Current input A 输入电流培
0	1050	4.8
5	1000	4.8
10	910	4.6
15	850	4.7
20	650	4.6
25	310	4.8
30	180	4.7
40	0	4.9
50		

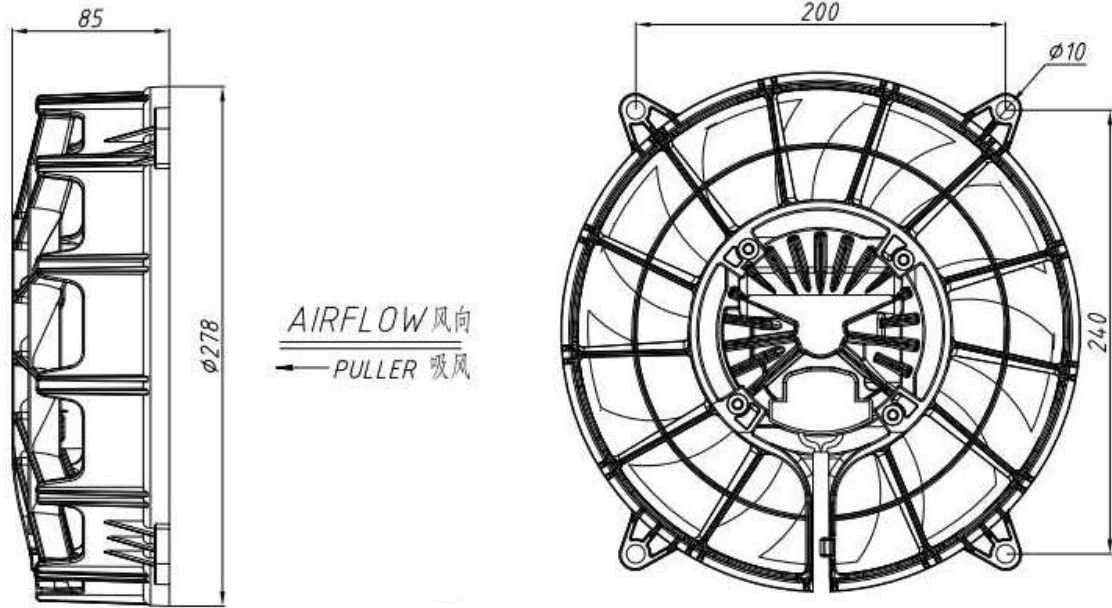
Product Features 产品特性	
rotection grade	IP68
CFM Contro Way	PWM
EMC Grade	ISO 16750-2 2012
Operating Frequency	50~500 HZ
Power	50W



# 无刷直流风机风扇

10"  $\Phi$ 255mm  
WLNF 335-1

24V



Operating Voltage : DC16~32V

Max speed : 4000  $\pm$ 100rpm

Noise :  $\leq$  75db

Working temperature : -40~120°C

Lifetime :  $\geq$  40000 h

Max Current :  $\leq$  12A



Performance Chart ( Test voltage 26V)  
性能参数 (实验电压26V )

Satic Pressure mmH2O 静压 毫米水柱	AirFlow m <sup>3</sup> /h 风量 立方米/小时	Current input A 输入电流培
0	2400	12.5
5	2350	12.5
10	2200	12.5
15	2160	12.4
20	2050	12.6
25	1900	12.5
30	1850	12.7
40	1600	13.2
50	1500	13.5

Product Features  
产品特性

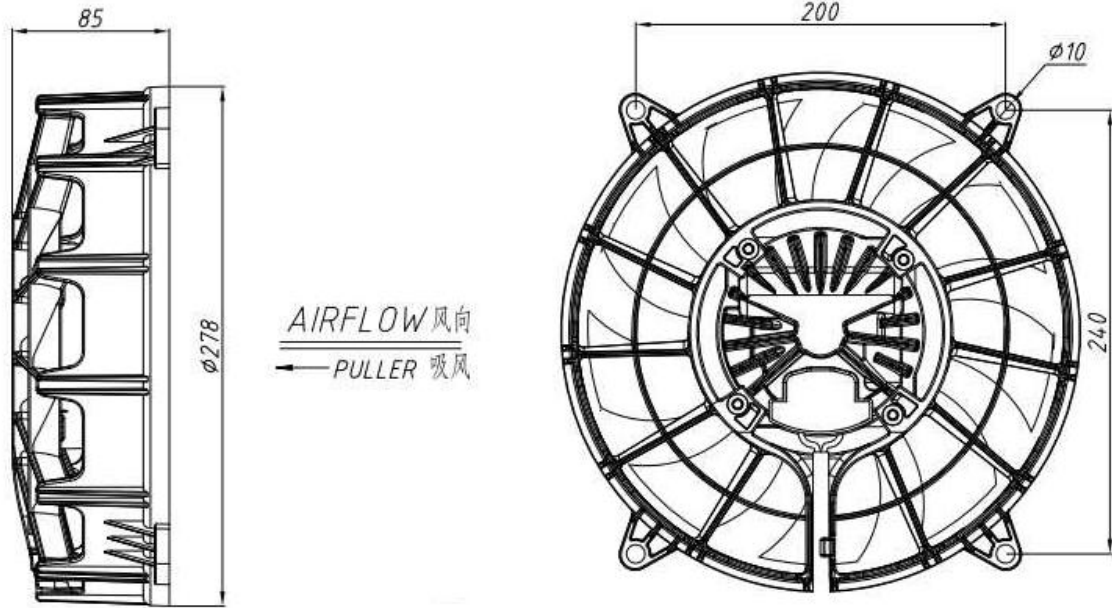
rotection grade	IP68
CFM Contro Way	PWM
EMC Grade	ISO 16750-2 2012
Operating Frequency	50~1000 HZ
Power	350W



# 无刷直流风机风扇

10"  $\Phi$ 255mm  
WLNF 335-2

24V



Operating Voltage : DC16~32V

Max speed : 4000  $\pm$ 100rpm

Noise :  $\leq$  75db

Working temperature : -40~120°C

Lifetime :  $\geq$  40000 h

Max Current :  $\leq$  12A



Performance Chart ( Test voltage 26V)  
性能参数 (实验电压26V )

Satic Pressure mmH2O 静压 毫米水柱	AirFlow m <sup>3</sup> /h 风量 立方米/小时	Current input A 输入电流培
0	2400	10
5	2350	10.1
10	2200	10.3
15	2160	10.5
20	2050	10.7
25	1900	10.9
30	1850	11
40	1600	11.2
50	1500	11.4

Product Features  
产品特性

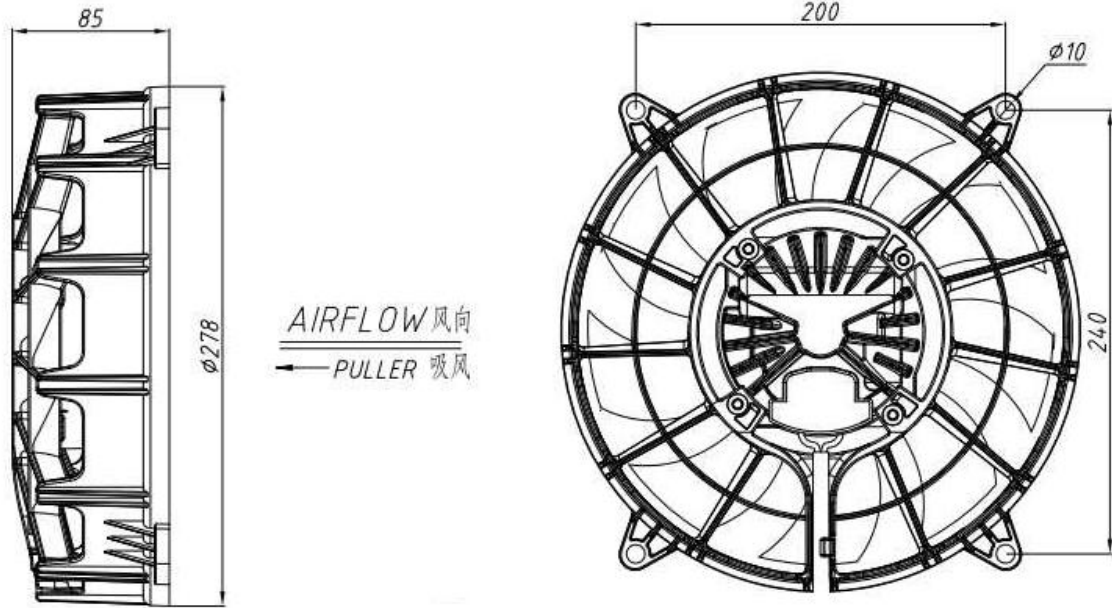
rotection grade	IP68
CFM Contro Way	Voltage
EMC Grade	ISO 16750-2 2012
Operating Frequency	0~10V
Power	350W



# 无刷直流风机风扇

10"  $\Phi$ 255mm  
WLNF 335F

24V



Operating Voltage : DC16~32V

Max speed : 4350  $\pm$ 100rpm

Noise :  $\leq$  78db

Working temperature : -40~120°C

Lifetime :  $\geq$  40000 h

Max Current :  $\leq$  15.5A



Performance Chart ( Test voltage 26V)  
性能参数 (实验电压26V )

Satic Pressure mmH2O 静压 毫米水柱	AirFlow m <sup>3</sup> /h 风量 立方米/小时	Current input A 输入电流培
0	2551	13.7
5	2361	14.1
10	2363	14.9
15	2253	15.4
20	2115	15.5
25	1949	15.7
30	1776	16.0
40	1402	16.1
50	718	16.3

Product Features  
产品特性

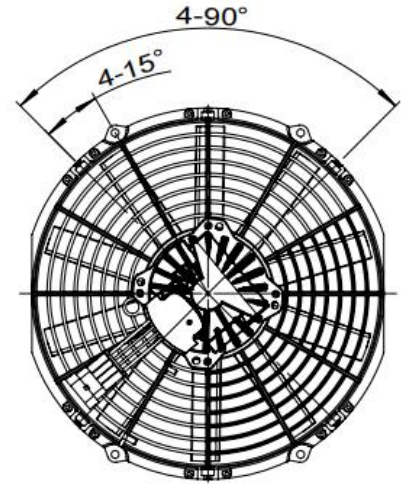
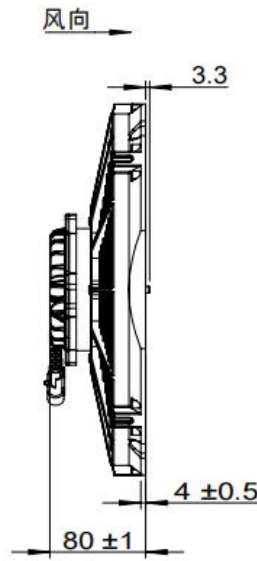
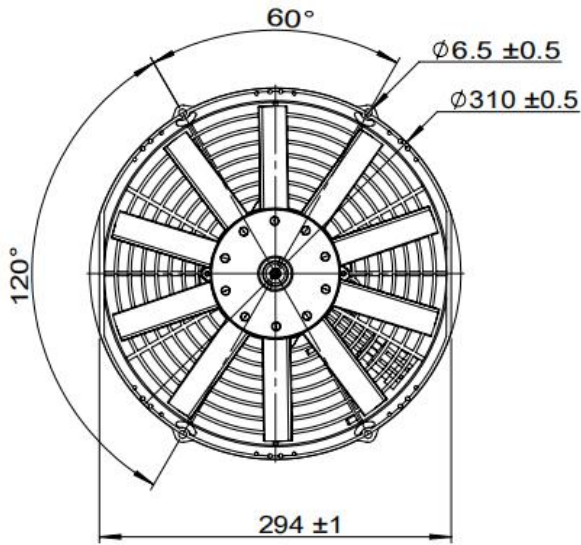
rotection grade	IP68
CFM Contro Way	PWM
EMC Grade	ISO 16750-2 2012
Operating Frequency	50~1000 HZ
Power	400W



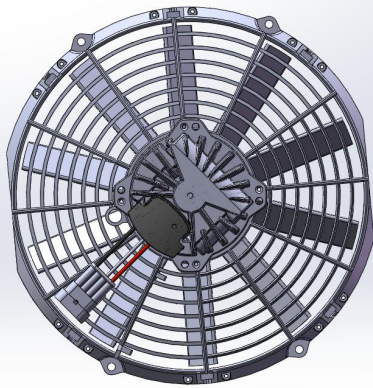


# 无刷直流风机风扇

11"  $\Phi$ 280mm  
**WLNF 2211B** 24V



Operating Voltage : DC16~32V	Max speed : 3200 ±100rpm	Noise : ≤ 75db
Working temperature : -40~120°C	Lifetime : ≥ 40000 h	Max Current : ≤ 6A



Performance Chart ( Test voltage 26V)  
 性能参数 (实验电压26V )

Satic Pressure mmH2O 静压 毫米水柱	AirFlow m <sup>3</sup> /h 风量 立方米/小时	Current input A 输入电流培
0	1600	5.6
5	1570	5.8
10	1200	6.1
15	1000	6.5
20	900	6.7
25	700	7.0
30	500	7.5
40		
50		

## Product Features 产品特性

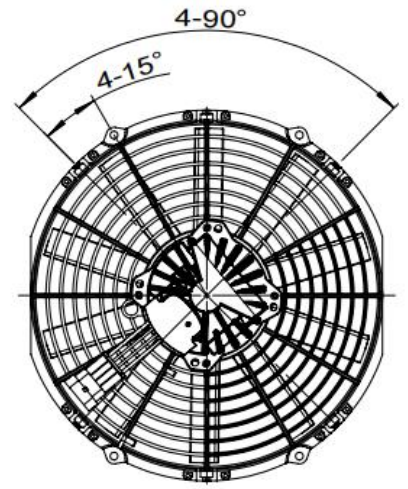
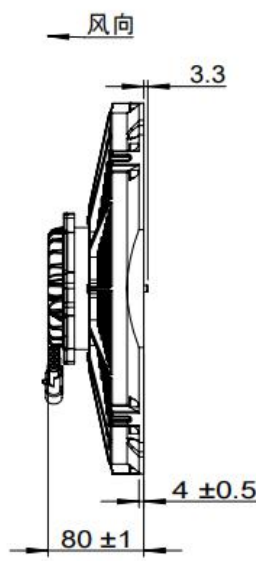
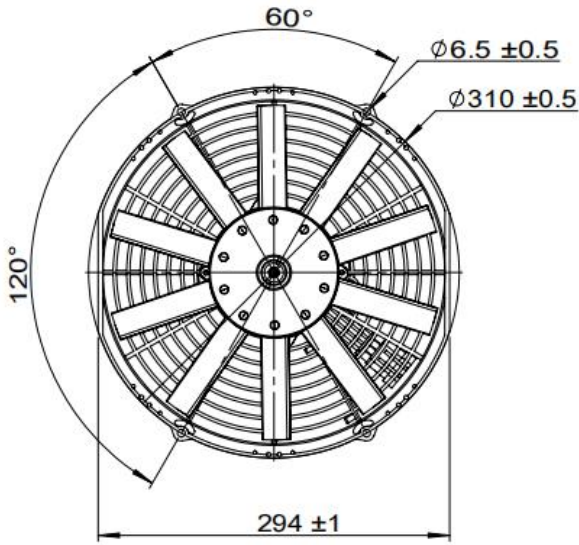
rotection grade	IP68
CFM Contro Way	PWM
EMC Grade	ISO 16750-2 2012
Operating Frequency	50~1000 HZ
Power	260W





# 无刷直流风机风扇

11"  $\Phi$ 280mm  
**WLNF 2211BX** 24V



Operating Voltage : DC16~32V

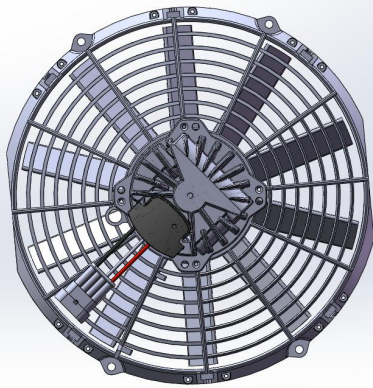
Max speed : 3200  $\pm$ 100rpm

Noise :  $\leq$  75db

Working temperature : -40~120°C

Lifetime :  $\geq$  40000 h

Max Current :  $\leq$  6A



Performance Chart ( Test voltage 26V)  
 性能参数 (实验电压26V )

Satic Pressure mmH2O 静压 毫米水柱	AirFlow m <sup>3</sup> /h 风量 立方米/小时	Current input A 输入电流培
0	1600	5.6
5	1570	5.8
10	1200	6.1
15	1000	6.5
20	900	6.7
25	700	7.0
30	500	7.5
40		
50		

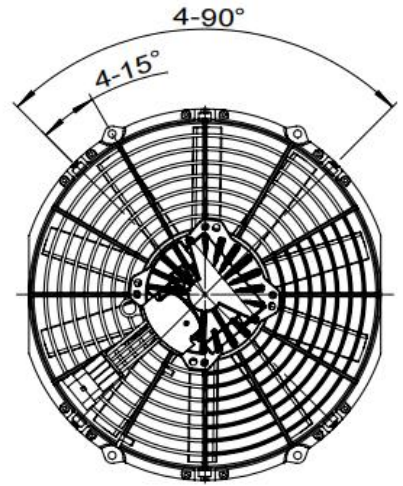
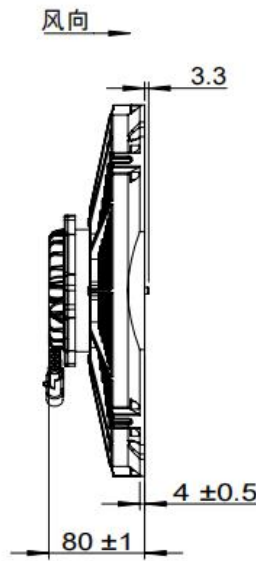
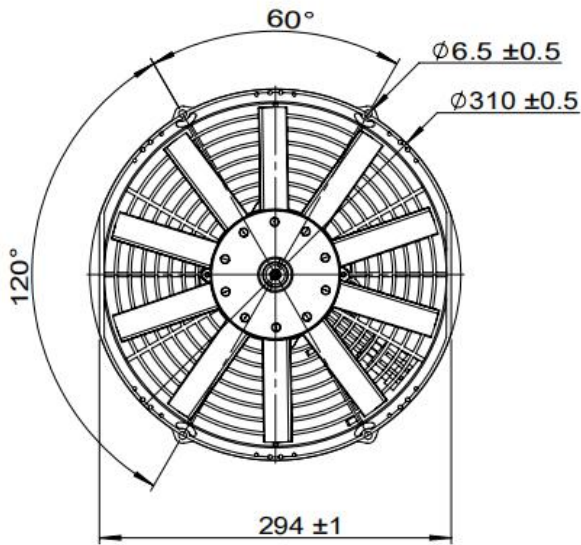
## Product Features 产品特性

rotection grade	IP68
CFM Contro Way	PWM
EMC Grade	ISO 16750-2 2012
Operating Frequency	50~1000 HZ
Power	260W



# 无刷直流风机风扇

11"  $\Phi$ 280mm  
**WLN1211B** 12V



Operating Voltage : DC9~16V

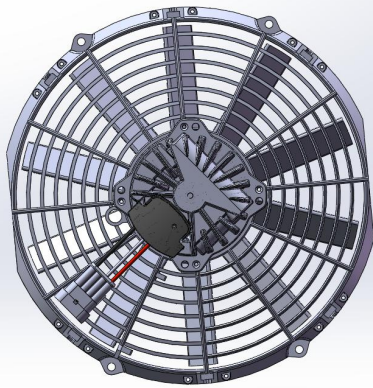
Max speed : 3200  $\pm$ 100rpm

Noise :  $\leq$  75db

Working temperature : -40~120°C

Lifetime :  $\geq$  40000 h

Max Current :  $\leq$  12A



Performance Chart ( Test voltage 13V)  
 性能参数 (实验电压13V )

Satic Pressure mmH2O 静压 毫米水柱	AirFlow m <sup>3</sup> /h 风量 立方米/小时	Current input A 输入电流培
0	1600	10.1
5	1570	10.2
10	1200	10.4
15	1000	10.6
20	900	11
25	700	11.2
30	500	11.4
40		
50		

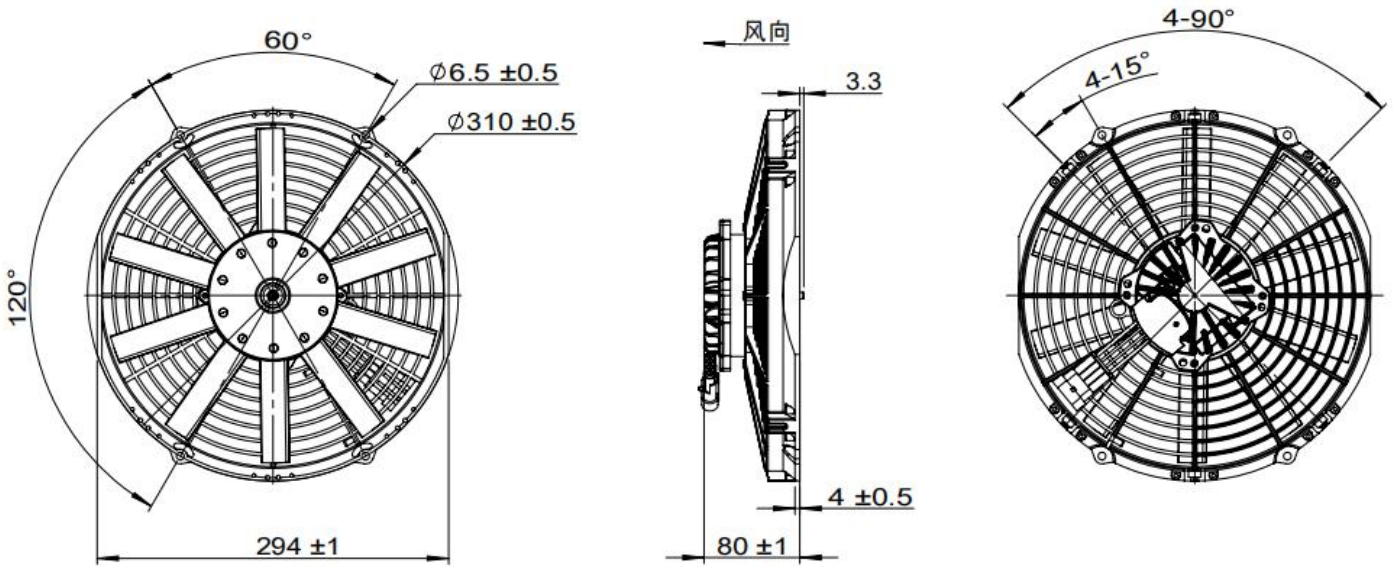
## Product Features 产品特性

rotection grade	IP68
CFM Contro Way	PWM
EMC Grade	ISO 16750-2 2012
Operating Frequency	50~1000 HZ
Power	260W



# 无刷直流风机风扇

11"  $\Phi$ 280mm  
**WLNF 1211BX** 12V



Operating Voltage : DC9~16V

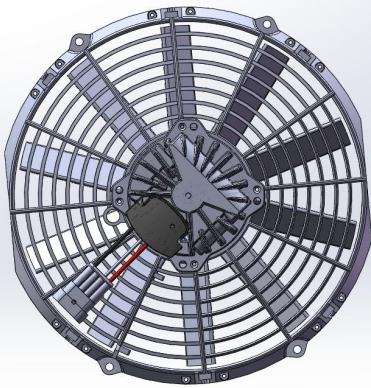
Max speed : 3200  $\pm$ 100rpm

Noise :  $\leq$  75db

Working temperature : -40~120°C

Lifetime :  $\geq$  40000 h

Max Current :  $\leq$  12A



Performance Chart ( Test voltage 13V)  
 性能参数 (实验电压13V )

Satic Pressure mmH2O 静压 毫米水柱	AirFlow m <sup>3</sup> /h 风量 立方米/小时	Current input A 输入电流培
0	1600	10.1
5	1570	10.2
10	1200	10.4
15	1000	10.6
20	900	10.8
25	700	11
30	500	11.2
40		
50		

## Product Features 产品特性

rotection grade	IP68
CFM Contro Way	PWM
EMC Grade	ISO 16750-2 2012
Operating Frequency	50~1000 HZ
Power	260W

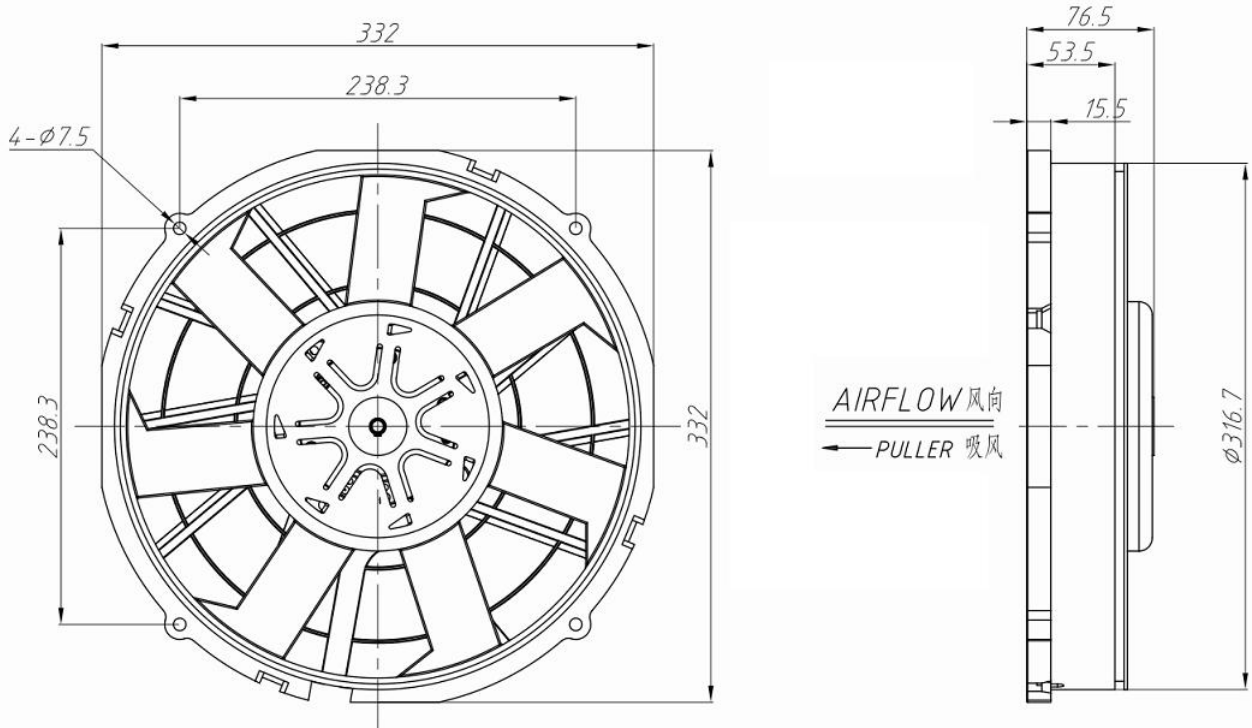




# 无刷直流风机风扇

12"  $\Phi$ 305mm  
WLNF 343-1

24V



Operating Voltage : DC16~32V

Max speed : 3050  $\pm$ 100rpm

Noise :  $\leq$  72db

Working temperature : -40~120°C

Lifetime :  $\geq$  40000 h

Max Current :  $\leq$  10A



Performance Chart ( Test voltage 26V)  
性能参数 (实验电压26V )

Satic Pressure mmH2O 静压 毫米水柱	AirFlow m <sup>3</sup> /h 风量 立方米/小时	Current input A 输入电流培
0	2700	9.5
5	2430	9.5
10	2190	9.6
15	1914	9.5
20	1504	9.7
25	984	9.8
30	569	9.8
40		
50		

Product Features  
产品特性

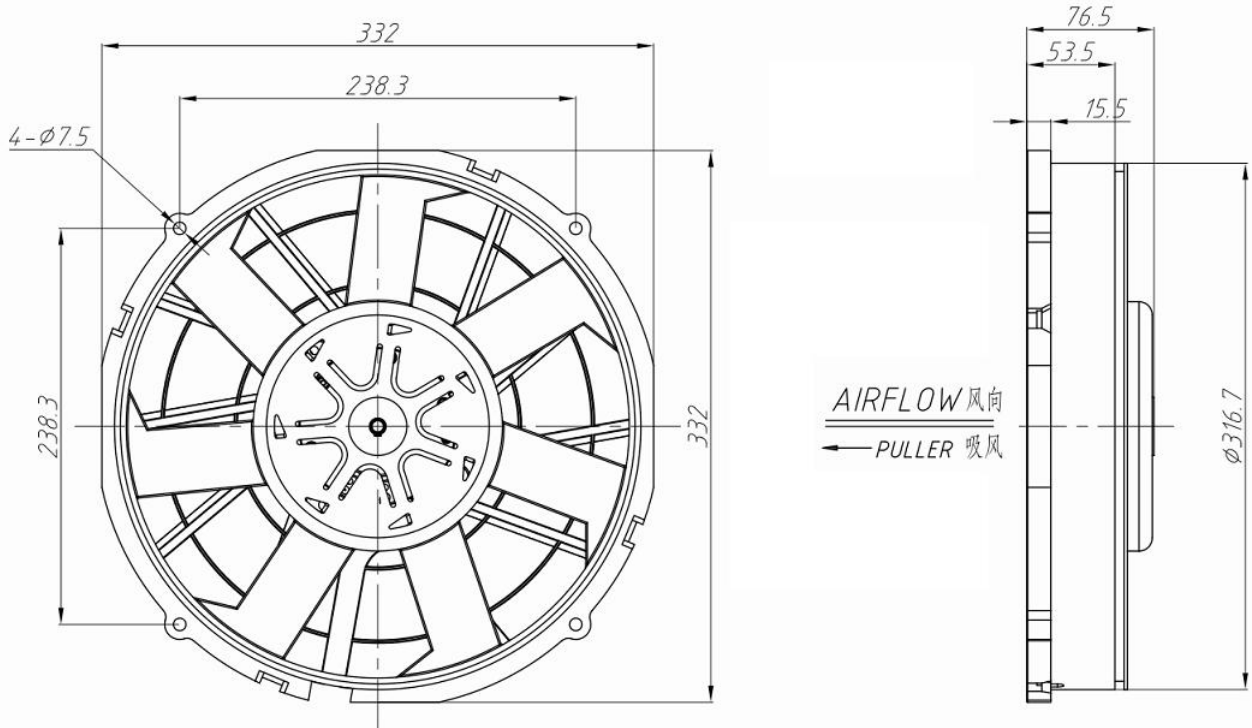
rotection grade	IP68
CFM Contro Way	PWM
EMC Grade	ISO 16750-2 2012
Operating Frequency	50~1000 HZ
Power	260W



# 无刷直流风机风扇

12"  $\Phi$ 305mm  
WLNF 343-2

24V



Operating Voltage : DC16~32V

Max speed : 3050  $\pm$ 100rpm

Noise :  $\leq$  72db

Working temperature : -40~120°C

Lifetime :  $\geq$  40000 h

Max Current :  $\leq$  10A



Performance Chart ( Test voltage 26V)  
性能参数 (实验电压26V )

Satic Pressure mmH2O 静压 毫米水柱	AirFlow m <sup>3</sup> /h 风量 立方米/小时	Current input A 输入电流培
0	2700	9.5
5	2430	9.5
10	2190	9.6
15	1914	9.5
20	1504	9.7
25	984	9.8
30	569	9.8
40		
50		

Product Features  
产品特性

rotection grade	IP68
CFM Contro Way	Voltage
EMC Grade	ISO 16750-2 2012
Voltage range	0~10v
Power	260W



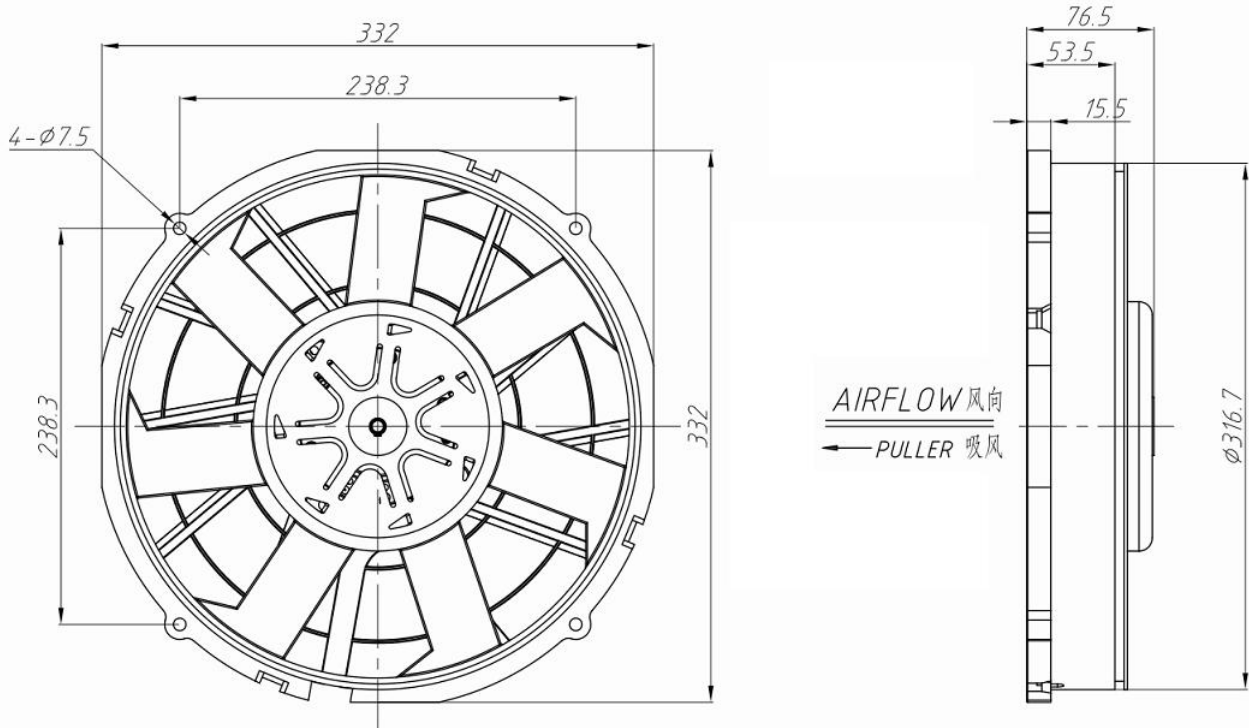


# 无刷直流风机风扇

12" Φ305mm

WLNF 384

24V



Operating Voltage : DC16~32V

Max speed : 3050 ±100rpm

Noise : ≤ 72db

Working temperature : -40~120°C

Lifetime : ≥ 40000 h

Max Current : ≤ 10A



Performance Chart ( Test voltage 26V)  
性能参数 (实验电压26V )

Satic Pressure mmH2O 静压 毫米水柱	AirFlow m³/h 风量 立方米/小时	Current input A 输入电流培
0	2700	9.5
5	2430	9.5
10	2190	9.6
15	1914	9.5
20	1504	9.7
25	984	9.8
30	569	9.8
40		
50		

## Product Features 产品特性

rotection grade	IP68
CFM Contro Way	Voltage&PWM
EMC Grade	ISO 16750-2 2012
Operating Frequency	0~10V 50~50000 HZ
Power	260W

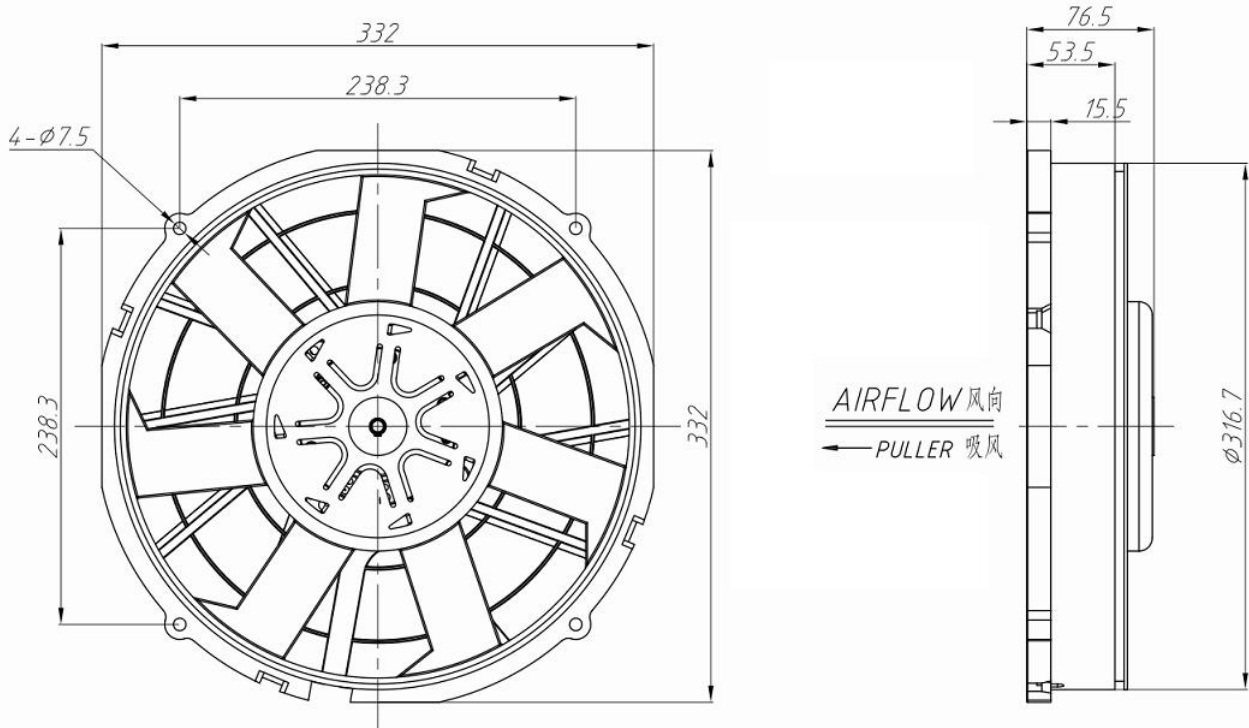


# 无刷直流风机风扇

12" Φ305mm

WLNF 443

48V



Operating Voltage : DC33~60V

Max speed : 3050 ±100rpm

Noise : ≤ 72db

Working temperature : -40~120°C

Lifetime : ≥ 40000 h

Max Current : ≤ 6A



Performance Chart ( Test voltage 50V)  
性能参数 (实验电压50V )

Satic Pressure mmH2O 静压 毫米水柱	AirFlow m³/h 风量 立方米/小时	Current input A 输入电流培
0	2700	4.5
5	2430	4.6
10	2190	4.7
15	1914	4.9
20	1504	5.0
25	984	5.1
30	569	5.2
40		
50		

Product Features  
产品特性

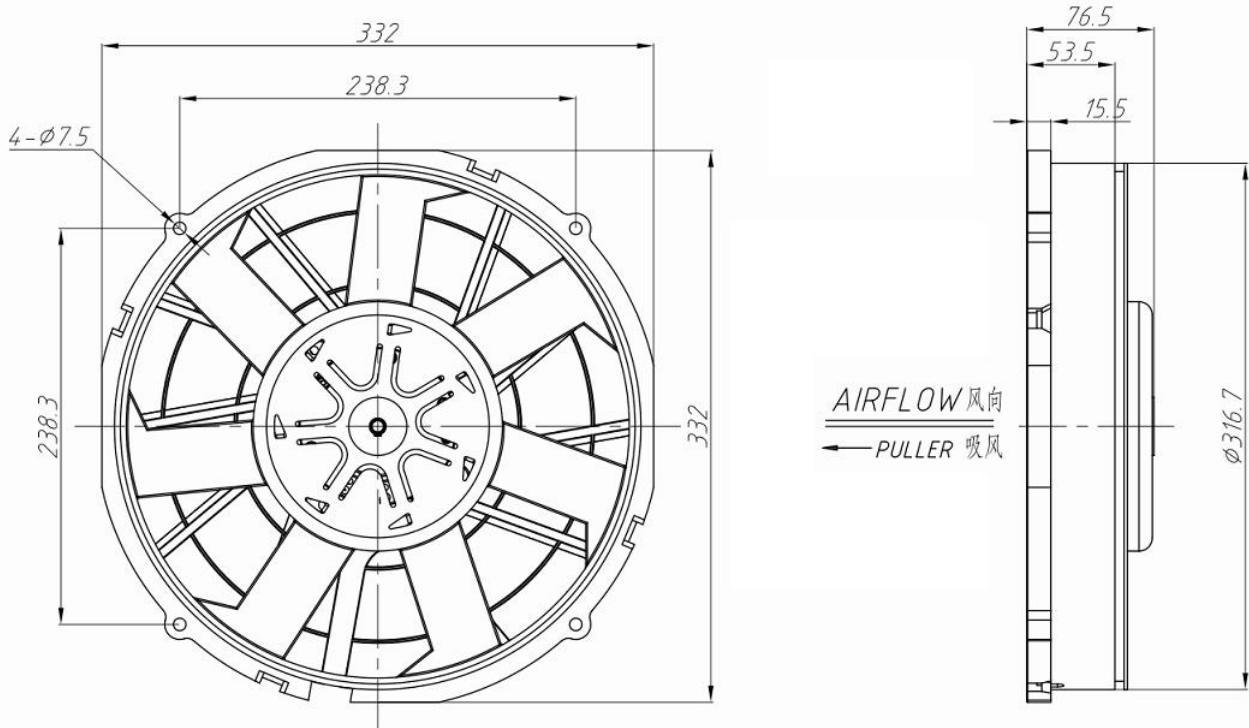
rotection grade	IP68
CFM Contro Way	Voltage&PWM
EMC Grade	ISO 16750-2 2012
Operating Frequency	0~10v&1k~10kHZ
Power	260W



# 无刷直流风机风扇

12" Φ305mm  
WLNF 320

12V



Operating Voltage : DC9~16V

Max speed : 3500 ±100rpm

Noise : ≤ 76db

Working temperature : -40~120°C

Lifetime : ≥ 40000 h

Max Current : ≤ 26A



Performance Chart ( Test voltage 13V)  
性能参数 (实验电压13V )

Satic Pressure mmH2O 静压 毫米水柱	AirFlow m³/h 风量 立方米/小时	Current input A 输入电流培
0	3237	23.6
5	2990	23.9
10	2745	24.7
15	2481	24.6
20	2147	25.5
25	1745	24.2
30	1350	24.2
35	1005	26.8
40		

Product Features  
产品特性

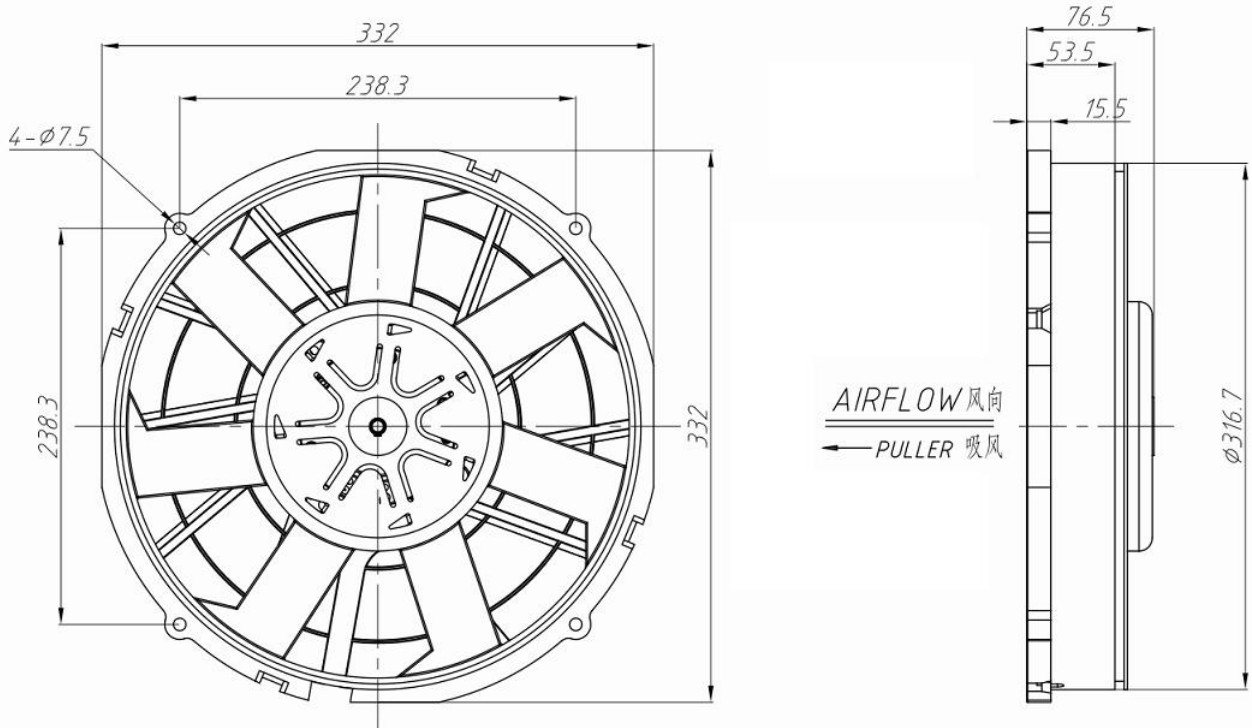
rotection grade	IP68
CFM Contro Way	PWM & A
EMC Grade	ISO 16750-2 2012
Operating Frequency	50~500 HZ
Power	300W



# 无刷直流风机风扇

12"  $\Phi$ 305mm  
WLNF 338P

24V



Operating Voltage : DC16~32V

Max speed : 3650  $\pm$ 100rpm

Noise :  $\leq$  77db

Working temperature : -40~120°C

Lifetime :  $\geq$  40000 h

Max Current :  $\leq$  17A



Performance Chart ( Test voltage 26V)  
性能参数 (实验电压26V )

Satic Pressure mmH2O 静压 毫米水柱	AirFlow m <sup>3</sup> /h 风量 立方米/小时	Current input A 输入电流培
0	3349	13.9
5	3116	14.3
10	2915	15.0
15	2692	15.8
20	2435	15.9
25	2054	15.2
30	1713	14.7
40	1060	16.2
50		

## Product Features 产品特性

rotection grade	IP68
CFM Contro Way	PWM
EMC Grade	ISO 16750-2 2012
Operating Frequency	50~500 HZ
Power	350W



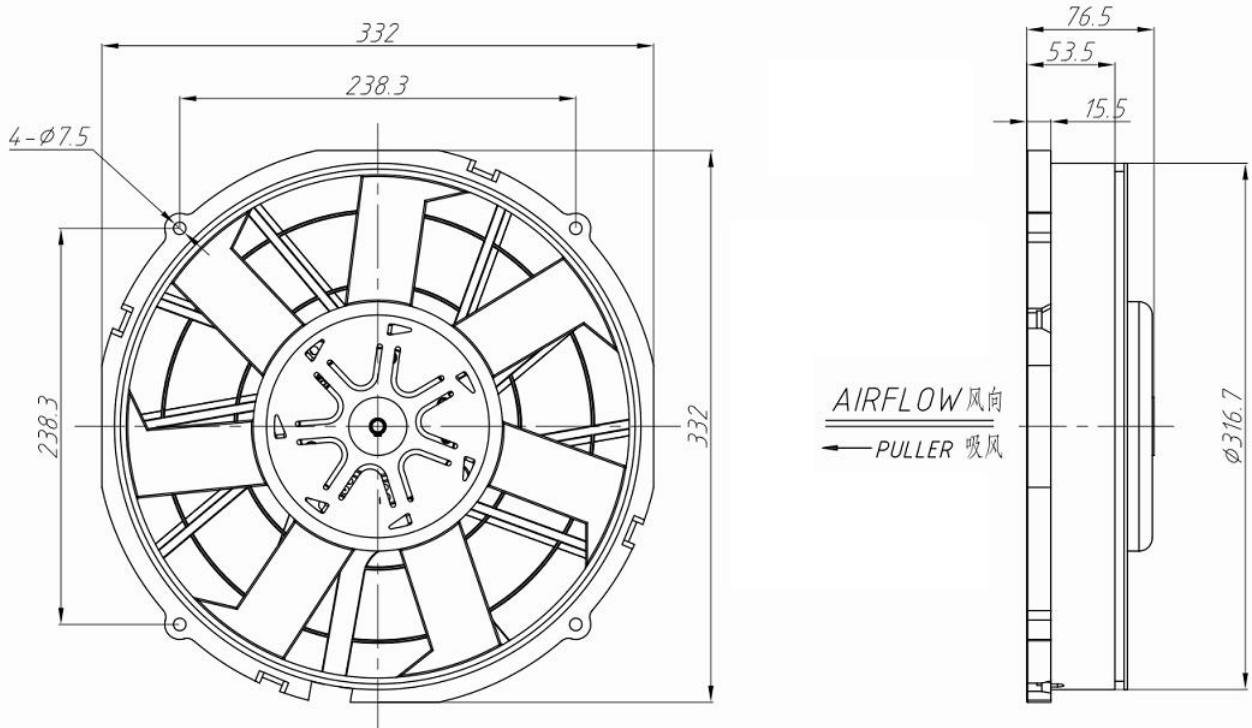


# 无刷直流风机风扇

12" Φ305mm

WLNF 342

24V



Operating Voltage : DC16~32V

Max speed : 3800 ±100rpm

Noise : ≤ 81db

Working temperature : -40~120°C

Lifetime : ≥ 40000 h

Max Current : ≤ 21A



Performance Chart ( Test voltage 26V)  
性能参数 (实验电压26V )

Satic Pressure mmH2O 静压 毫米水柱	AirFlow m³/h 风量 立方米/小时	Current input A 输入电流培
0	3448	16.5
5	3283	17.5
10	3143	18.0
15	2886	18.5
20	2822	19.1
25	2647	19.3
30	2170	18.8
40	1233	18.0
50	858	20.3

Product Features  
产品特性

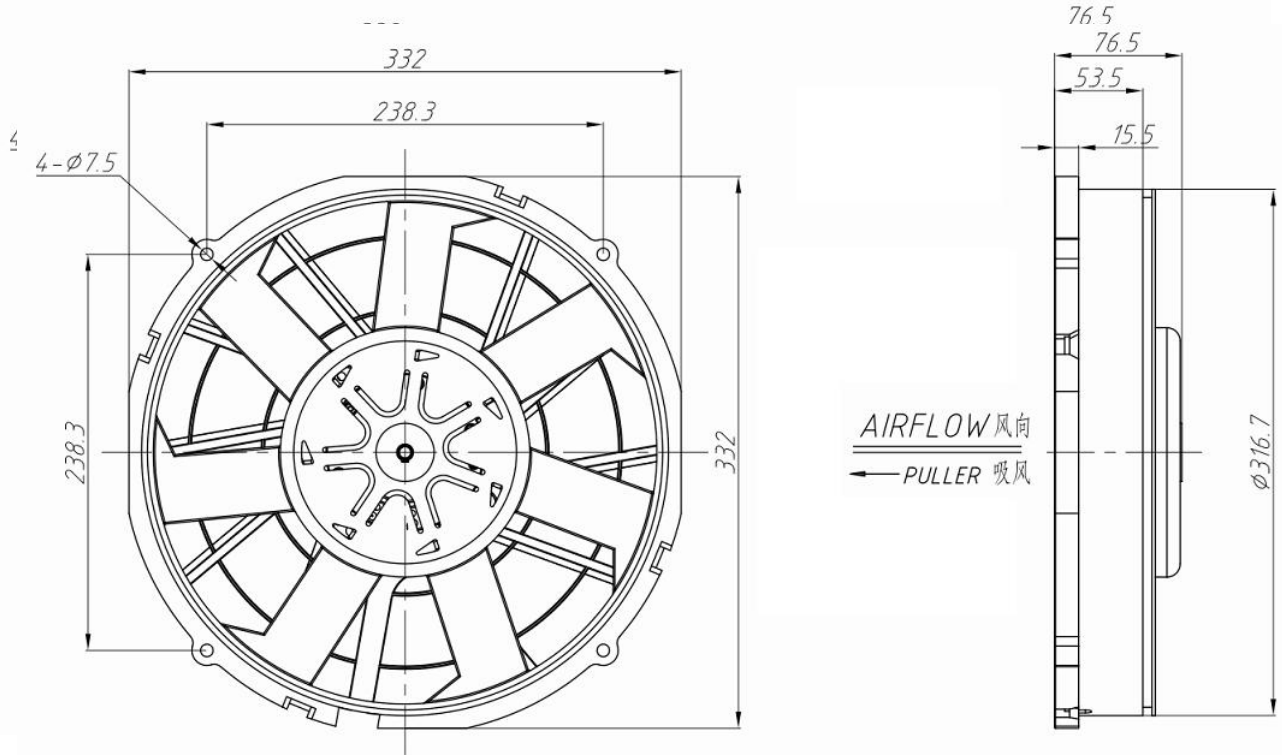
rotection grade	IP68
CFM Contro Way	PWM
EMC Grade	ISO 16750-2 2012
Operating Frequency	50~500 HZ
Power	400W



# 无刷直流风机风扇

12"  $\Phi$ 305mm  
WLNF 510P

24V



Operating Voltage : DC16~32V

Max speed : 4750  $\pm$ 100rpm

Noise :  $\leq$  87db

Working temperature : -40~120°C

Lifetime :  $\geq$  40000 h

Max Current :  $\leq$  33A



Performance Chart ( Test voltage 26V)  
性能参数 (实验电压26V )

Satic Pressure mmH2O 静压 毫米水柱	AirFlow m <sup>3</sup> /h 风量 立方米/小时	Current input A 输入电流培
0	4426	28.1
10	4050	28.6
15	3921	29.6
20	3718	29.2
30	3356	30.3
40	2777	29.0
50	2262	28.8
60	1566	31.2
70	1211	33

## Product Features 产品特性

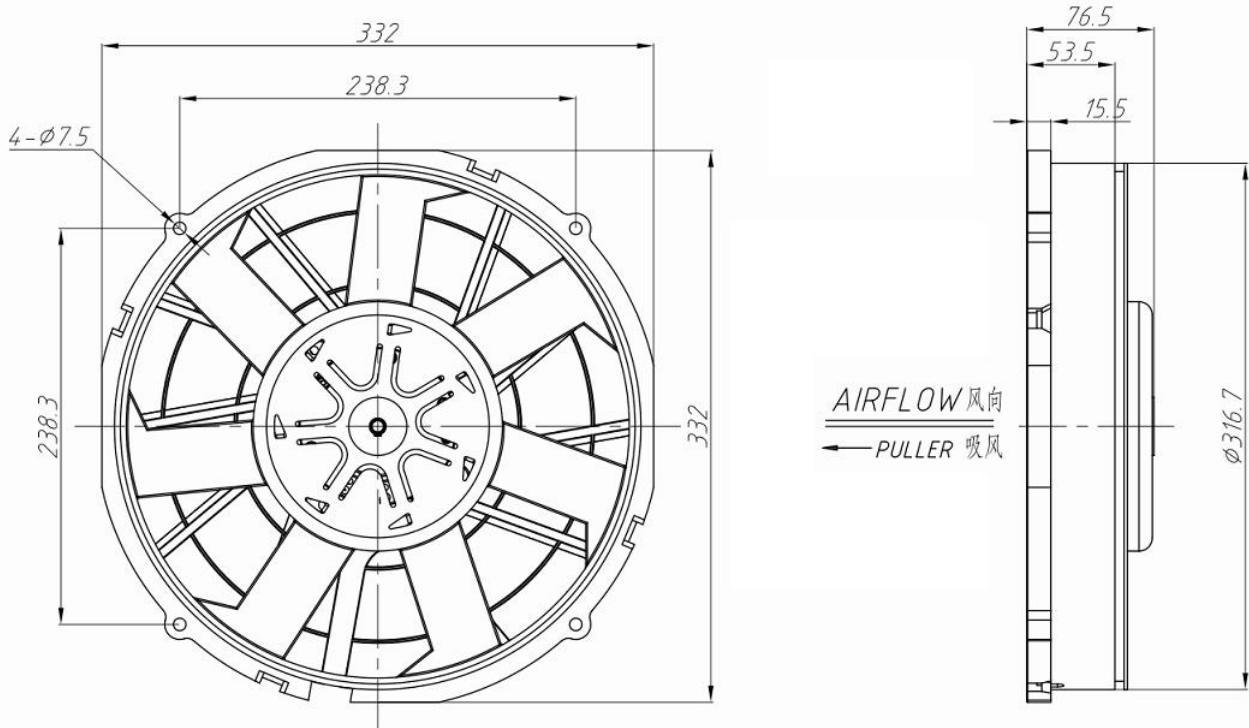
rotection grade	IP68
CFM Contro Way	PWM
EMC Grade	ISO 16750-2 2012
Operating Frequency	100~1000 HZ
Power	800W



# 无刷直流风机风扇

12"  $\Phi$ 305mm  
WLNF 504

24V



Operating Voltage : DC16~32V

Max speed : 4750  $\pm$ 100rpm

Noise :  $\leq$  87db

Working temperature : -40~120°C

Lifetime :  $\geq$  40000 h

Max Current :  $\leq$  33A



Performance Chart ( Test voltage 26V)  
性能参数 (实验电压26V )

Satic Pressure mmH2O 静压 毫米水柱	AirFlow m <sup>3</sup> /h 风量 立方米/小时	Current input A 输入电流培
0	4426	28.1
10	4050	28.6
15	3921	29.6
20	3718	29.2
30	3356	30.3
40	2777	29.0
50	2262	28.8
60	1566	31.2
70	1211	33

Product Features  
产品特性

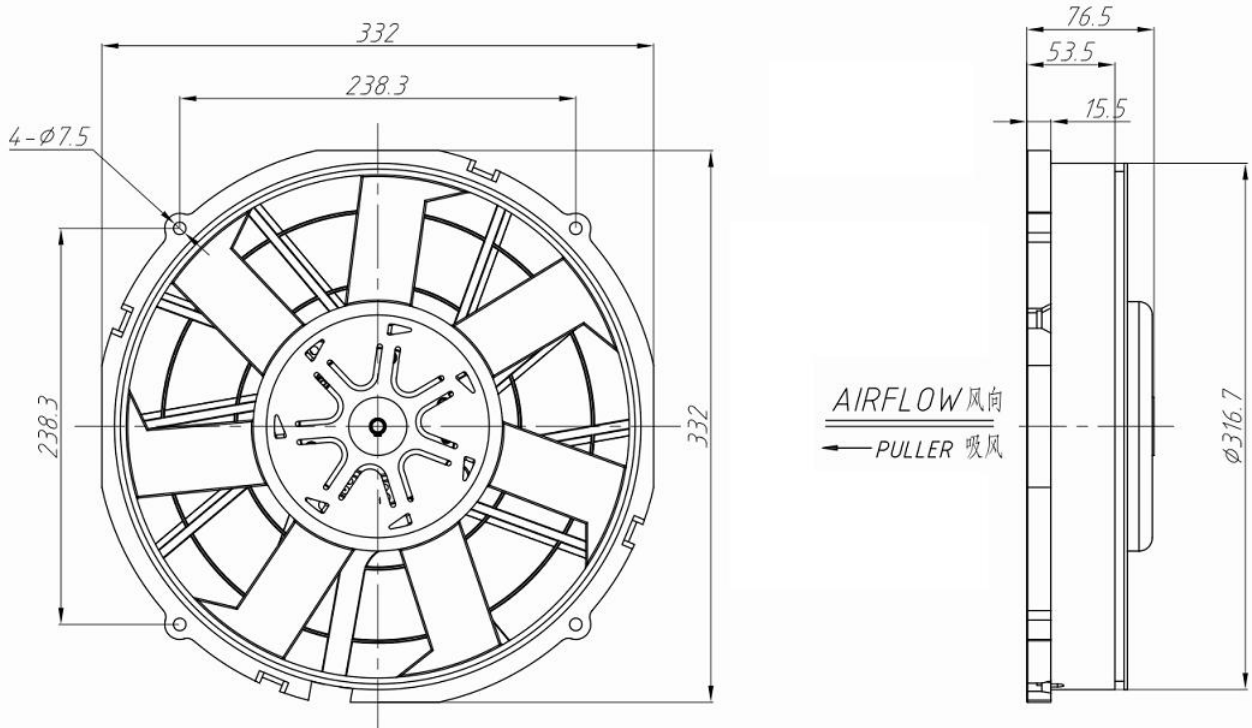
rotection grade	IP68
CFM Contro Way	PWM & A
EMC Grade	ISO 16750-2 2012
Operating Frequency	50~500 HZ
Power	800W



# 无刷直流风机风扇

12"  $\Phi$ 305mm  
WLNF 506

24V



Operating Voltage : DC16~32V

Max speed : 4100  $\pm$ 100rpm

Noise :  $\leq$  81db

Working temperature : -40~120°C

Lifetime :  $\geq$  40000 h

Max Current :  $\leq$  21A



Performance Chart ( Test voltage 26V)  
性能参数 (实验电压26V )

Satic Pressure mmH2O 静压 毫米水柱	AirFlow m <sup>3</sup> /h 风量 立方米/小时	Current input A 输入电流培
0	3668	17.3
5	3386	17.6
10	3189	18.1
15	3039	18.7
20	2862	19.2
25	2650	19.4
30	2447	19.2
40	1332	17.7
50	949	19.3

## Product Features 产品特性

rotection grade	IP68
CFM Contro Way	PMW
EMC Grade	ISO 16750-2 2012
Operating Frequency	50~500 HZ
Power	500W

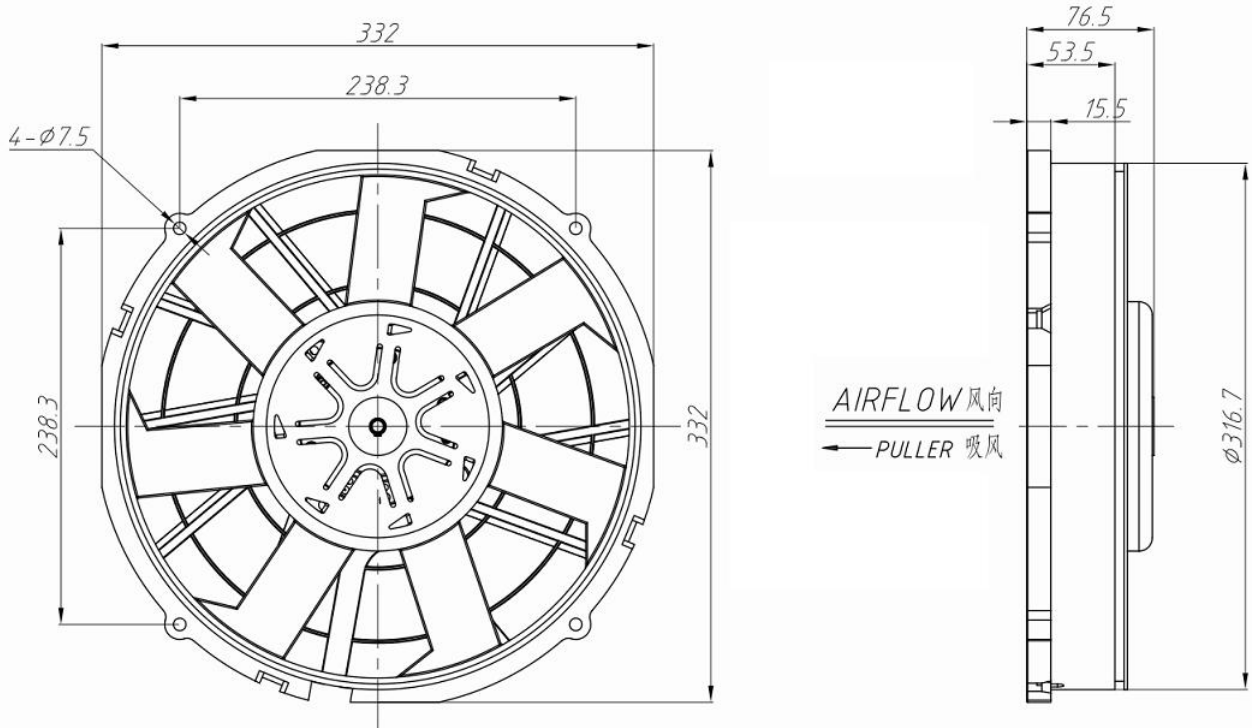




# 无刷直流风机风扇

12"  $\Phi$ 305mm  
WLNF 506A

24V



Operating Voltage : DC16~32V

Max speed : 4100  $\pm$ 100rpm

Noise :  $\leq$  81db

Working temperature : -40~120°C

Lifetime :  $\geq$  40000 h

Max Current :  $\leq$  21A



Performance Chart ( Test voltage 26V)  
性能参数 (实验电压26V )

Satic Pressure mmH2O 静压 毫米水柱	AirFlow m <sup>3</sup> /h 风量 立方米/小时	Current input A 输入电流培
0	3668	17.34
5	3386	17.6
10	3189	18.1
15	3039	18.7
20	2862	19.2
25	2650	19.4
30	2447	19.2
40	1332	17.7
50	949	19.3

Product Features  
产品特性

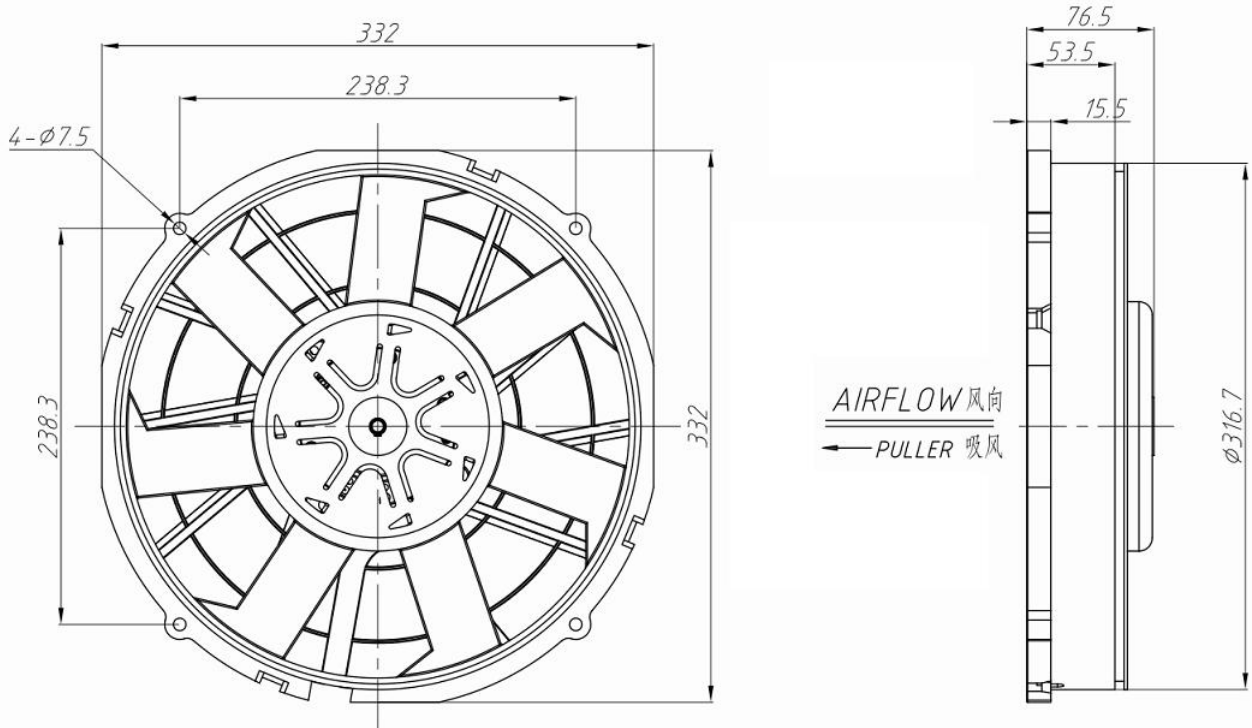
rotection grade	IP68
CFM Contro Way	DC
EMC Grade	ISO 16750-2 2012
Operating Frequency	50~500 HZ
Power	500W



# 无刷直流风机风扇

12"  $\Phi$ 305mm  
WLNF 511

12V



Operating Voltage : DC9~16V

Max speed : 4100  $\pm$ 100rpm

Noise :  $\leq$  81db

Working temperature : -40~120°C

Lifetime :  $\geq$  40000 h

Max Current :  $\leq$  45A



Performance Chart ( Test voltage 13V)  
性能参数 (实验电压13V )

Satic Pressure mmH2O 静压 毫米水柱	AirFlow m <sup>3</sup> /h 风量 立方米/小时	Current input A 输入电流培
0	3650	41.2
5	3350	41.3
10	3100	42.6
15	2720	42.5
20	2310	42.5
25	2150	42.6
30	1920	42.3
40	1060	43.7
50	380	40.3

Product Features  
产品特性

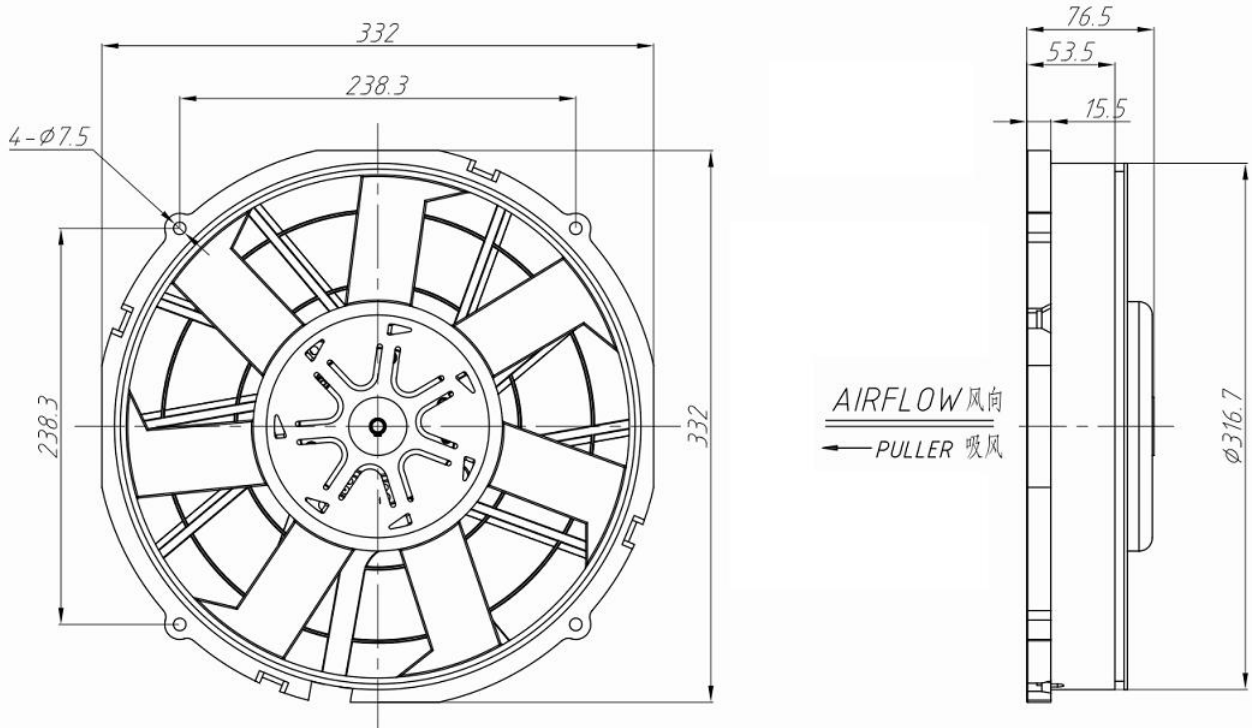
rotection grade	IP68
CFM Contro Way	PWM
EMC Grade	ISO 16750-2 2012
Operating Frequency	50~500 HZ
Power	550W



# 无刷直流风机风扇

12"  $\Phi$ 305mm  
WLNF 513P

24V



Operating Voltage : DC9~16V

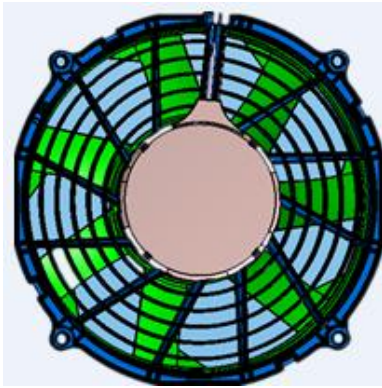
Max speed : 4100  $\pm$ 100rpm

Noise :  $\leq$  81db

Working temperature : -40~120°C

Lifetime :  $\geq$  40000 h

Max Current :  $\leq$  21A



Performance Chart ( Test voltage 26V)  
性能参数 (实验电压26V )

Satic Pressure mmH2O 静压 毫米水柱	AirFlow m <sup>3</sup> /h 风量 立方米/小时	Current input A 输入电流培
0	3723	18.0
5	3505	18.2
10	3315	18.8
15	3109	19.1
20	2832	19.4
25	2554	19.1
30	2268	18.8
40	1670	18.6
50	1116	20.7

## Product Features 产品特性

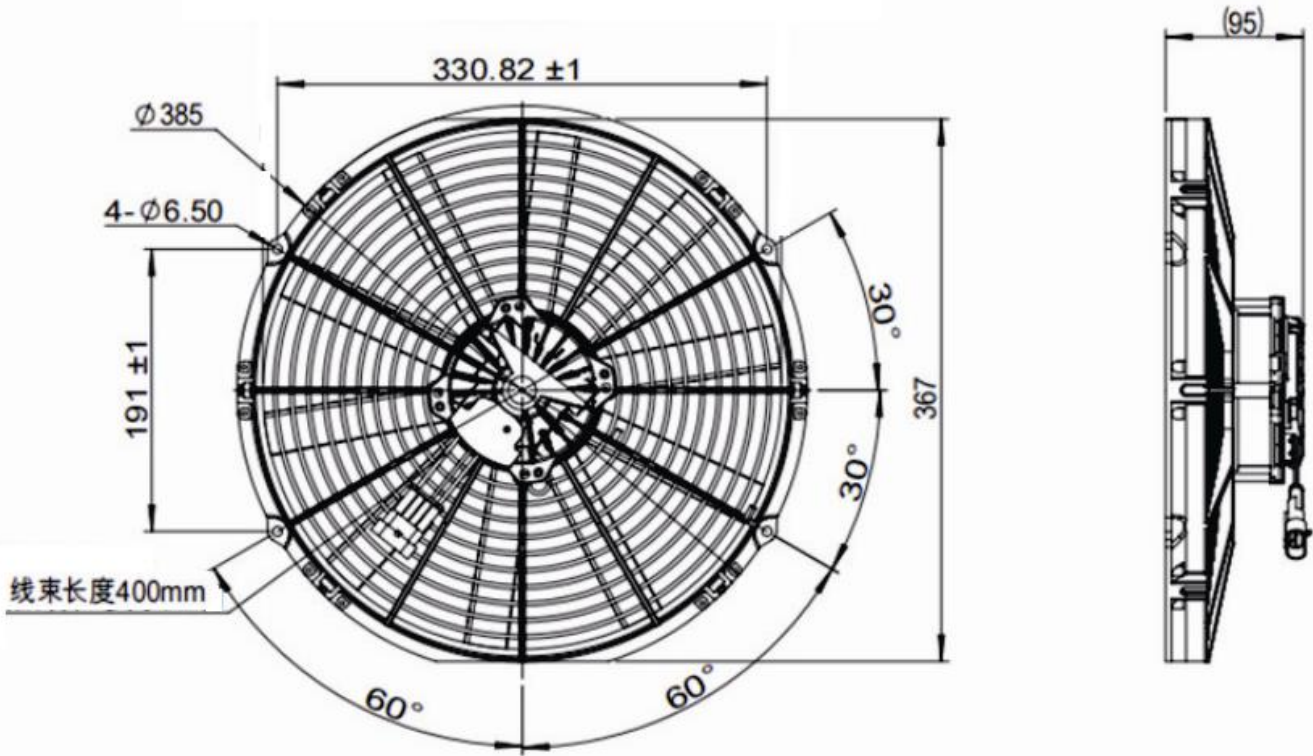
rotection grade	IP68
CFM Contro Way	PWM
EMC Grade	ISO 16750-2 2012
Operating Frequency	50~500 HZ
Power	500W



# 无刷直流风机风扇

14"  $\Phi$ 355mm  
WLNF 2214B

24V



Operating Voltage : DC16~32V

Max speed : 2800  $\pm$ 100rpm

Noise :  $\leq$  75db

Working temperature : -40~120°C

Lifetime :  $\geq$  40000 h

Max Current :  $\leq$  11A



Performance Chart ( Test voltage 26V)  
性能参数 (实验电压26V )

Satic Pressure mmH2O 静压 毫米水柱	AirFlow m <sup>3</sup> /h 风量 立方米/小时	Current input A 输入电流培
0	3020	10.5
5	2700	10.4
10	2070	10.3
15	1800	10.6
20	750	10.7
25	260	10.8
30	0	10.9
40		
50		

## Product Features 产品特性

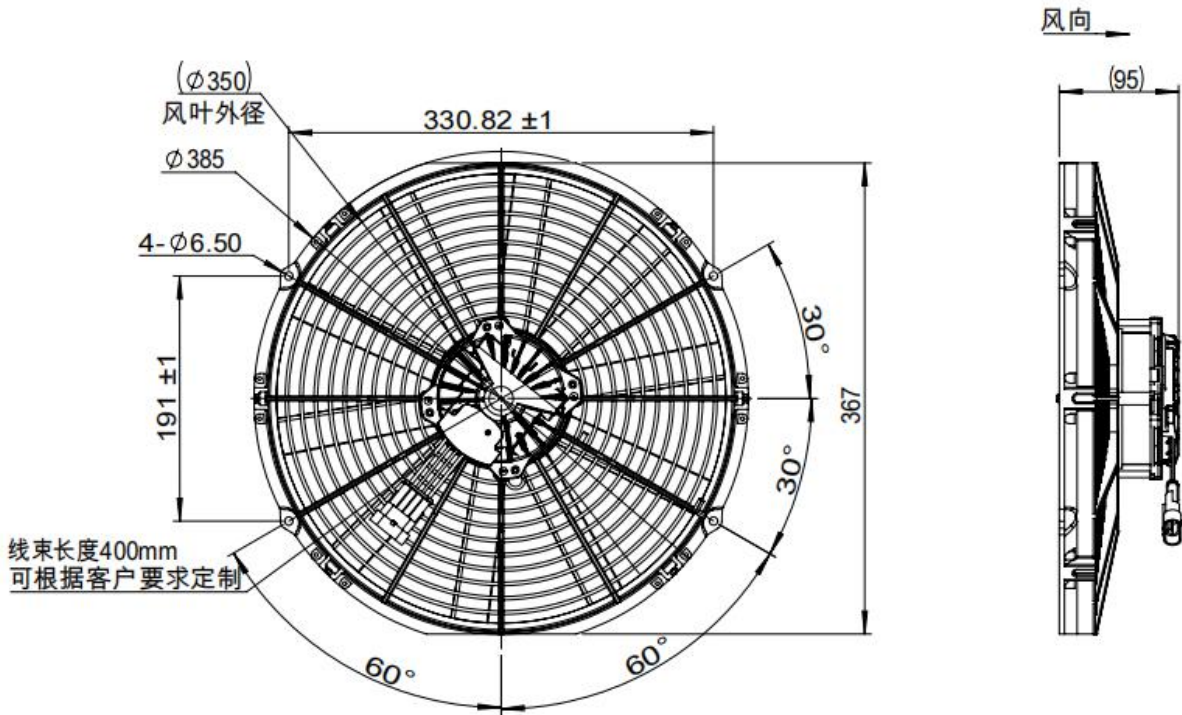
rotection grade	IP68
CFM Contro Way	PWM
EMC Grade	ISO 16750-2 2012
Operating Frequency	50~1000 HZ
Power	260W





# 无刷直流风机风扇

14"  $\Phi$ 355mm  
**WLNF 2214BX** 24V



Operating Voltage : DC16~32V	Max speed : 2800 ±100rpm	Noise : ≤ 75db
Working temperature : -40~120°C	Lifetime : ≥ 40000 h	Max Current : ≤ 11A



Performance Chart ( Test voltage 26V)  
 性能参数 (实验电压26V )

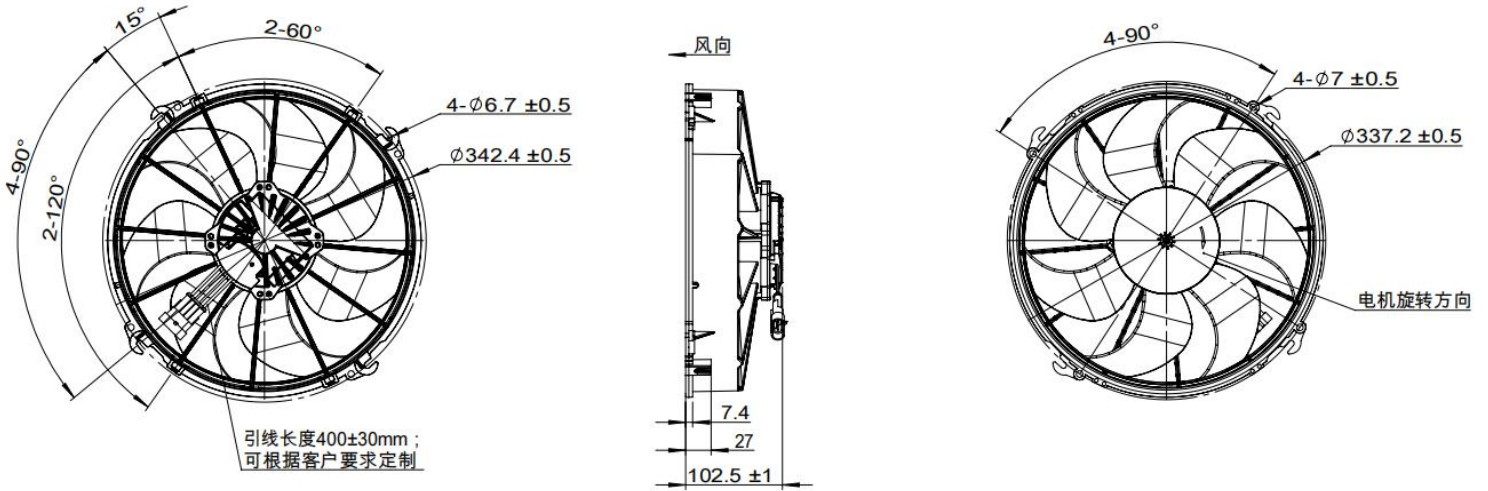
Satic Pressure mmH2O 静压 毫米水柱	AirFlow m³/h 风量 立方米/小时	Current input A 输入电流培
0	3020	10.5
5	2700	10.4
10	2070	10.3
15	1800	10.6
20	750	10.7
25	260	10.8
30	0	10.9
40		
50		

Product Features 产品特性	
rotection grade	IP68
CFM Contro Way	PWM
EMC Grade	ISO 16750-2 2012
Operating Frequency	50~1000 HZ
Power	260W



# 无刷直流风机风扇

12"  $\Phi$ 313mm  
**WLNF 2101** 24V



Operating Voltage : DC16~32V	Max speed : 3200 ±100rpm	Noise : ≤ 75db
Working temperature : -40~120°C	Lifetime : ≥ 40000 h	Max Current : ≤ 7A



Performance Chart ( Test voltage 26V)  
 性能参数 (实验电压26V )

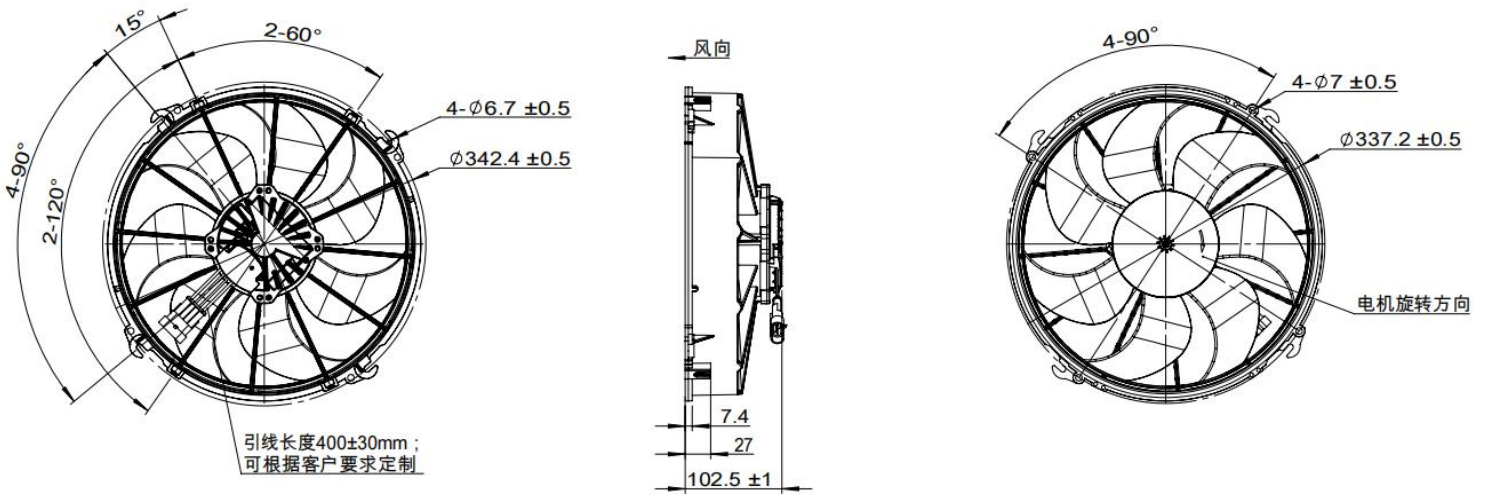
Satic Pressure mmH2O 静压 毫米水柱	AirFlow m³/h 风量 立方米/小时	Current input A 输入电流培
0	2380	5.6
5	2100	5.8
10	1800	6.1
15	1500	6.5
20	1100	6.7
25	700	7.0
30	500	7.5
40		
50		

Product Features 产品特性	
rotection grade	IP68
CFM Contro Way	PWM
EMC Grade	ISO 16750-2 2012
Operating Frequency	50~1000 HZ
Power	260W



# 无刷直流风机风扇

12"  $\Phi$ 313mm  
**WLNF 1101** 12V



Operating Voltage : DC9~16V	Max speed : 3200 ±100rpm	Noise : ≤ 75db
Working temperature : -40~120°C	Lifetime : ≥ 40000 h	Max Current : ≤ 14A



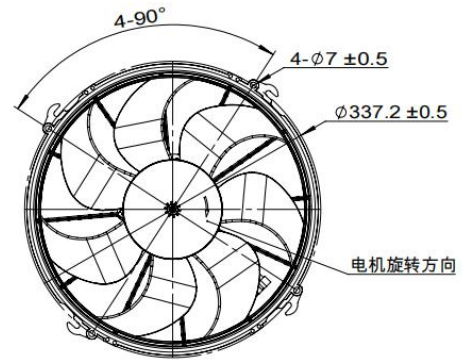
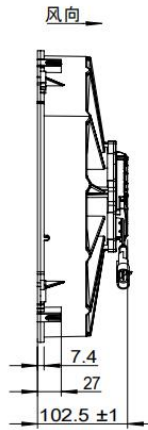
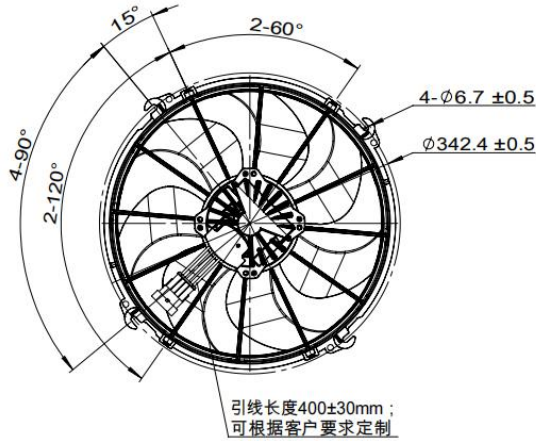
Performance Chart ( Test voltage 13V) 性能参数 (实验电压13V )		
Satic Pressure mmH2O 静压 毫米水柱	AirFlow m³/h 风量 立方米/小时	Current input A 输入电流培
0	2380	11.2
5	2100	11.4
10	1800	11.6
15	1500	11.8
20	1100	12.1
25	700	12.4
30	500	12.6
40		
50		

Product Features 产品特性	
rotection grade	IP68
CFM Contro Way	PWM
EMC Grade	ISO 16750-2 2012
Operating Frequency	50~1000 HZ
Power	260W



# 无刷直流风机风扇

12"  $\Phi$ 313mm  
**WLNF 2101XQ7 24V**



Operating Voltage : DC16~32V

Max speed : 3200  $\pm$ 100rpm

Noise :  $\leq$  75db

Working temperature : -40~120°C

Lifetime :  $\geq$  40000 h

Max Current :  $\leq$  7A



Performance Chart ( Test voltage 26V)  
 性能参数 (实验电压26V )

Satic Pressure mmH2O 静压 毫米水柱	AirFlow m <sup>3</sup> /h 风量 立方米/小时	Current input A 输入电流培
0	2380	5.6
5	2100	5.8
10	1800	6.1
15	1500	6.5
20	1100	6.7
25	700	7.0
30	500	7.5
40		
50		

## Product Features 产品特性

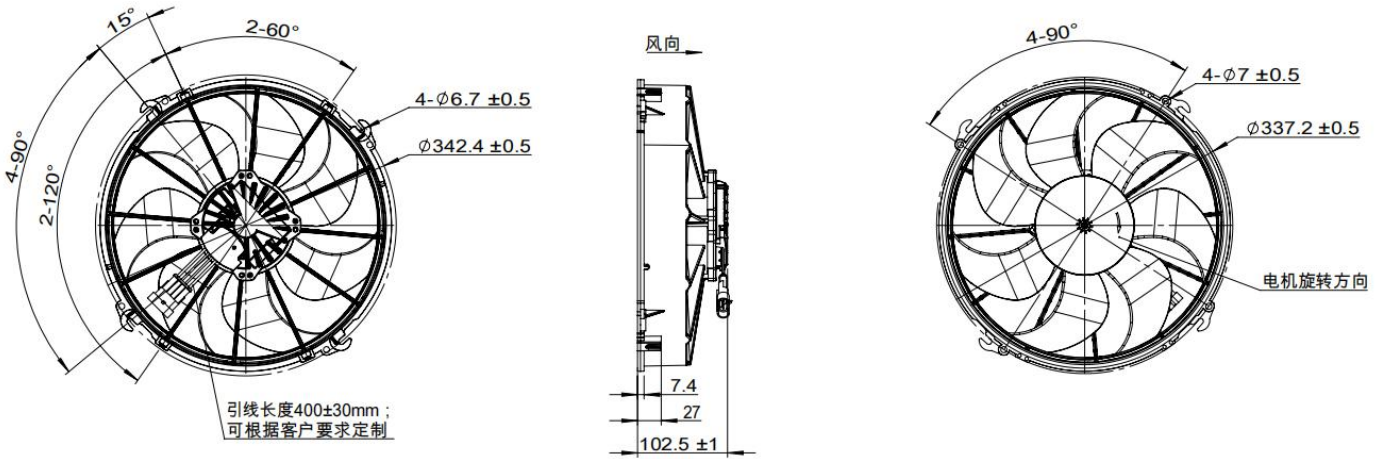
rotection grade	IP68
CFM Contro Way	PWM
EMC Grade	ISO 16750-2 2012
Operating Frequency	50~1000 HZ
Power	260W





# 无刷直流风机风扇

12"  $\Phi$ 313mm  
**WLNF 1101XQ7 12V**



Operating Voltage : DC9~16V

Max speed : 3200  $\pm$ 100rpm

Noise :  $\leq$  75db

Working temperature : -40~120°C

Lifetime :  $\geq$  40000 h

Max Current :  $\leq$  14A



Performance Chart ( Test voltage13V)  
 性能参数 (实验电压13V )

Satic Pressure mmH2O 静压 毫米水柱	AirFlow m <sup>3</sup> /h 风量 立方米/小时	Current input A 输入电流培
0	2380	11.2
5	2100	11.4
10	1800	11.6
15	1500	11.8
20	1100	12.1
25	700	12.3
30	500	12.5
40		
50		

Product Features  
 产品特性

rotection grade	IP68
CFM Contro Way	PWM
EMC Grade	ISO 16750-2 2012
Operating Frequency	50~1000 HZ
Power	260W